

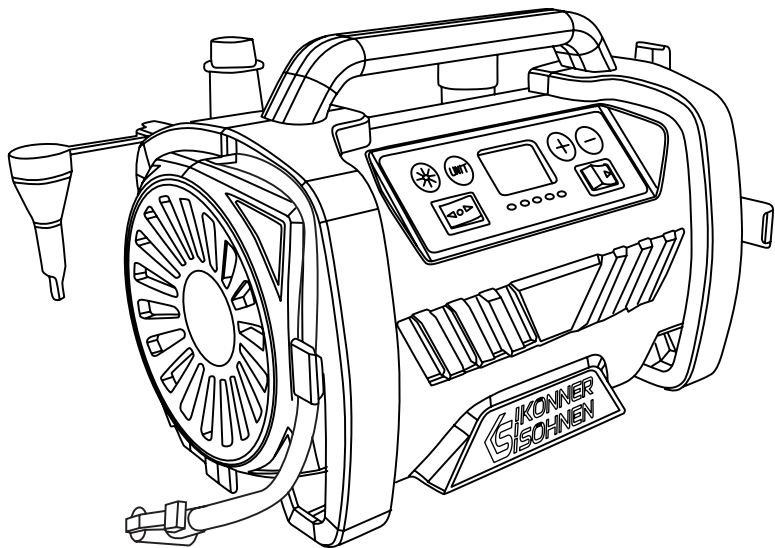
Please, read this manual
carefully before use!

Owner's Manual



Car air compressor

KS P30





Thank you for your purchase of **Könnner & Söhnen®** products. This manual contains a brief description of safety, use and debugging. More information can be found on the official manufacturer's website in the support section: **konner-sohnen.com/manuals**

You can also go to the support section and download the manual by scanning the QR code, or on the website of the official importer of Könnner & Söhnen® products: **www.konner-sohnen.com**



Please, read this manual carefully before use!

Manufacturer reserves the right to make alterations into the product, which may not be reflected in this manual. Pictures and photos of the product may vary from its actual appearance. At the end of this manual, You may find contact information which you are free to use in case of any issues occurrence.

All data, specified in this operation manual is the most up to date for the moment of its publishing. The current list of service centers you can find at the website of official importer: **www.konner-sohnen.com**



ATTENTION - DANGER!



Failure to follow the recommendations marked with this sign may lead to serious injury of the operator or third parties.



IMPORTANT!



Useful information while operating the machine.

SAFETY INSTRUCTION

1



WARNING!



The air compressor supports 12volt electrical systems only.

- Heed the duty cycle recommendations for the air compressor. The air compressor is not designed for continuous operation! Never set tire inflation pressures above the recommended inflation pressure. Exceeding the pressure level and maximum duty cycle may result in rapid wear of air compressor parts and air compressor failure.
- The air compressor is immediately ready for use and requires no additional lubrication.
- Hold the air compressor by the special carrying handle. Pull the plug, not the cord, when unplugging the device.
- To prevent discharge of your vehicle's battery and boost compressor efficiency, we recommend that you keep the vehicle's engine running while operating the air compressor.
- Do not leave the air compressor unattended during operation or allow children to play with it to avoid injury
- Please, start the engine of a car first, then plug in the power cord for starting the inflation! After inflation is done, stop the engine.
- Don't allow the air compressor to work for more than 8 minutes in at once, as it can be overheated. Please let it cool down for at least 10 minutes.

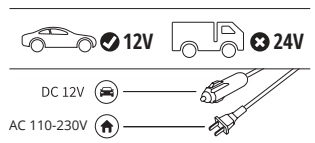
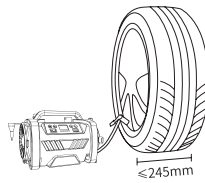


WARNING!



Do not use both at the same time!

- DO NOT USE the appliance for large vehicles like trucks, vans or off-road vehicles (tire pressure > 50 PSI, tire width >245 mm).



WARNING!

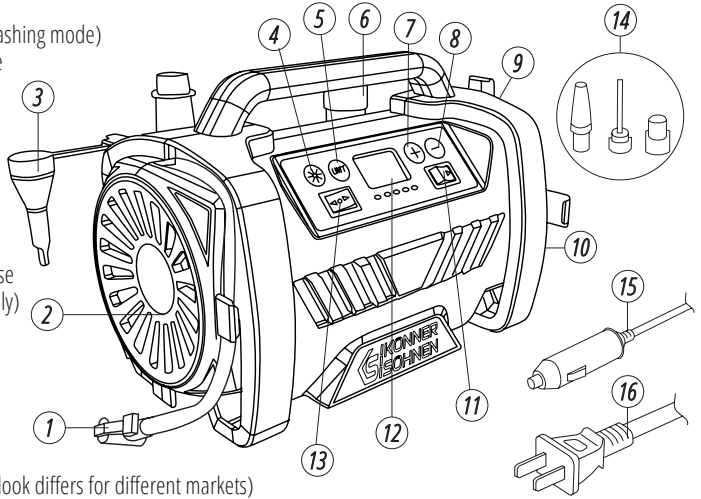


Warning! When pumping, the device heats up, be careful and do not touch the metal parts directly. Do not pump longer than 8 minutes. Let the device cool down for at least 10 minutes!

MAIN OVERVIEW

2

1. High-pressure Hose
2. Flashlight (lighting mode, flashing mode)
3. High-volume tapered Nozzle
4. LED Button
5. UNIT Button
6. High-volume Hose
7. "+" Button
8. "-" Button
9. Air Outlet
10. Air Inlet
11. Power Supply Switch (house power supply, car power supply)
12. LED display
13. Inflation Mode Switch (high-pressure mode/ high-volume mode)
14. Nozzles
15. 12V Cigarette Lighter Plug
16. Household plug, (plug outlook differs for different markets)



IMPORTANT!



Manufacturer reserves the right to make changes and/or improvements in design, components set and technical attributes without notice and without incurring obligation. The pictures in this manual are schematical and may not match the parameters of original product.

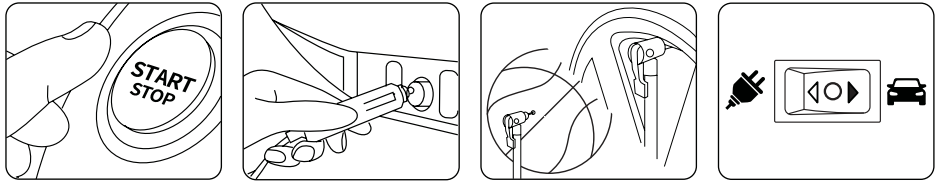
TECHNICAL SPECIFICATION

3

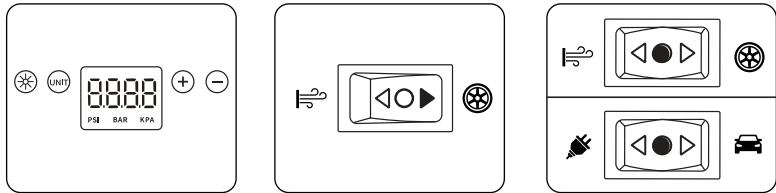
Model	KS P30
Power	120 W
Max pressure	150 Psi
Speed	35 l/min
Voltage (AC)	110-230V
Cable length	3 m
Continuous working time	8 min
Available units	PSI/ BAR/ KPA
Voltage (for mains)	AC 110V/1A, 230V/0.5A
Voltage (DC)	DC 12V/10A
Gross dimensions (LxWxH)	158x86x265 mm
Gross weight	1.8 kg

CAR POWER SUPPLY FOR HIGH-PRESSURE ITEMS

STEP 1: Start the engine, plug in the power cord into DC socket. Attach the inflating valve adapter to high pressure items and fix it onto high pressure items. Use additional nozzels, which are in a set, if needed. Press the power supply switch (choose car power supply mode)

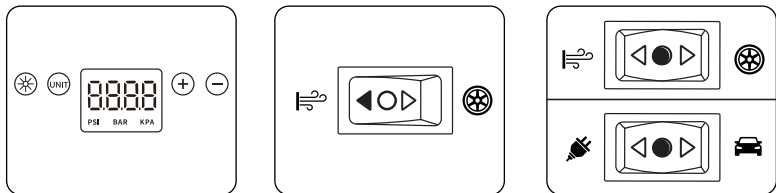


STEP 2: Press the "UNIT" to select the display unit. Then, press "-" or "+" to set the desired pressure. Press the mode switch to high-pressure mode and inflation will start automatically and will automatically stop at a desired pressure level. When inflation is finished, turn both switches (inflation mode switch and power supply mode switch) to OFF position.



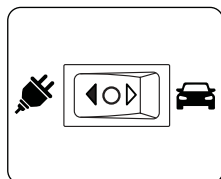
CAR POWER SUPPLY FOR LOW-PRESSURE ITEMS

1. Start the car engine before plugging in the power cord.
2. Connect the car power cord to a DC outlet.
3. For deflation, please connect the high-volume hose to the air pump's air inlet. For inflation, please connect the high-volume hose to the air pump's air outlet, and twist the hose to lock it up.
4. Connect the high-volume hose with the low-pressure item (if the inflating nozzels are needed, please install it correctly before use)



Press the "UNIT" to select the display unit. Then, press "-" or "+" to set the desired pressure. Press the mode switch to high-volume mode and inflation will start automatically and will automatically stop at a desired pressure level. When inflation is finished, turn both switches to OFF position.

HOUSE POWER SUPPLY FOR LOW-PRESSURE ITEMS



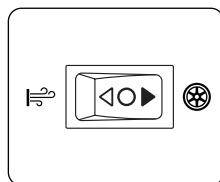
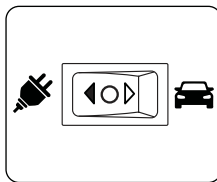
Plug the power cord into the AC socket in your house. For inflation, connect the high-volume hose to air pump's outlet, twist the hose to fix it. Before starting the deflation, connect high-volume hose to air pump's air inlet. Connect the high-volume nozzle to low pressure item. Use nozzels if needed. Press the power supply switch to house power supply mode.

HOUSE POWER SUPPLY FOR HIGH-PRESSURE ITEMS

Plug the power cord into the AC socket in your house.

Attach inflating valve to high-pressure item. Use nozzles if needed.

Press the "UNIT" to select the display unit. Then, press "-" or "+" to set the desired pressure. Press the mode switch to high-pressure mode and inflation will start automatically and will automatically stop at a desired pressure level. Turn both switches to OFF position.



SPORTS EQUIPMENT MODE

5

1. Please install the nozzle as shown at picture below.
2. Set the needed pressure and pull out the needle when you think the desired pressure is reached.

100 PSI=689.47 KPA=6.89 BAR



WARRANTY SERVICE TERMS

6

The international manufacturer warranty is 1 year. The warranty period starts from the date of purchase. In cases when warranty period is longer than 1 year according to local legislation please contact your local dealer. The Seller which sells the product is responsible for granting the warranty. Please contact the Seller for warranty. Within the warranty period, if the product fails because of defects in the production process, it will be exchanged on the same product or repaired.

All faults caused by the manufacturer during the warranty period will be eliminated free of charge. Warranty repair is carried out only if you have a fully completed warranty card, the Buyer's signature of acceptance of the warranty terms, as well as a document supporting the purchase (cash receipt, sales slip or invoice). In the absence thereof, as well as in the event of errors or corrections not authenticated by the seller's seal or illegible inscriptions in the warranty card or tear-off coupon, no warranty repair is carried out, no objections to quality are accepted and the warranty card is withdrawn by the service center as invalid. The device is accepted for repair clean and full.



EC Declaration of Conformity

Nr. 160

The following products have been tested by us with the listed standards and found in compliance with the European Community Electromagnetic compatibility Directive (EMC) 2014/30/EC.

Manufacturer: DIMAX INTERNATIONAL GmbH
Address: Flinger Broich 203, 40235 Duesseldorf, Germany
Product: Jump starter with air compressor "Könner & Söhnen"
Type / Model: KS JS-2000
Product: Air compressor "Könner & Söhnen"
Type / Model: KS P10, KS P20, KS P30

The statement is based on a single evaluation of above mentioned products. It does not imply an assessment of the whole production and does not permit the use of the test lab. logo. The manufacturer should ensure that all product in series production are in conformity with the product sample detailed in this report. The applicant should hold the whole technical report at disposal of the competent all the right.

Applied EC Directives: 2014/30/EU Electromagnetic compatibility Directive (EMC)
EU RoHS 11/65/EU Annex II amending Annex 2015/863/EU
and amending Annex (EU) 2017/2102

Applied Standards: EN IEC 55014-1:2021, EN IEC 55014-2:2021
EN IEC 61000-3-2:2019/A1:2021, EN 61000-3-3:2013/A2:2021
EN 61000-4-2:2009, EN IEC 61000-4-3:2020,
EN 61000-4-4:2012, EN 61000-4-5:2014+A1:2017,
EN 61000-4-6:2014, EN 61000-4-8^2010,
EN IEC 61000-4-11:2020
IEC 62321-5:2013&IEC 62321-4:2013+A1:2017&
IEC 62321-7-2:2017 & IEC 62321-6:2015 & IEC 62321-8: 2017
& IEC 62321-3-1:2013 & IEC 62321 -7-1:2015



23

Issued Date: 2023-08-10
Place of issue: Duesseldorf
General director: Fomin P.

P. Fomin

DIMAX
International
GmbH
Steuern-Nr: 103 5722 2493
USt-Id-Nr: DE29617274

We DIMAX INTERNATIONAL GmbH hereby declare that specified above conforms covering European Parliament and Council Directives, Electromagnetic compatibility Directive (EMC) 2014/30/EC of 26 February 2014. The CE mark above can be used under the responsibility of manufacturer. After completion of an EC declaration of Conformity and compliance with all relevant EC directives.

CONTACTS

Deutschland:

DIMAX International GmbH Flinger
Broich 203 -FortunaPark- 40235
Düsseldorf, Deutschland

www.koenner-soehnen.com

Ihre Bestellungen

orders@dimaxgroup.de

Kundendienst, technische Fragen und Unterstützung

support@dimaxgroup.de

Garantie, Reparatur und Service

service@dimaxgroup.de

Sonstiges

info@dimaxgroup.de

Polska:

DIMAX International Poland Sp.z o.o.
Polska, Warczawska,
306B 05-082 Stare Babice,

info.pl@dimaxgroup.de

www.konner-sohnen.com

Україна:

ТОВ «Техно Трейд КС»,
вул. Електротехнічна 47,
02222, м. Київ, Україна

sales@ks-power.com.ua

www.konner-sohnen.com