



Weather Station · Wetterstation · Station météo · Weerstation
· Estación meteorológica ·

Thermo Hygro Quadro NLX

EN Instruction manual

NL Gebruikershandleiding

DE Bedienungsanleitung

ES Manual de instrucciones

FR Mode d'emploi

- DE** Besuchen Sie unsere Website über den folgenden QR Code oder Weblink um weitere Informationen zu diesem Produkt oder die verfügbaren Übersetzungen dieser Anleitung zu finden.
- EN** Visit our website via the following QR Code or web link to find further information on this product or the available translations of these instructions.
- FR** Si vous souhaitez obtenir plus d'informations concernant ce produit ou rechercher ce mode d'emploi en d'autres langues, rendez-vous sur notre site Internet en utilisant le code QR ou le lien correspondant.
- NL** Bezoek onze internetpagina via de volgende QR-code of weblink, voor meer informatie over dit product of de beschikbare vertalingen van deze gebruiksaanwijzing.
- ES** ¿Desearía recibir unas instrucciones de uso completas sobre este producto en un idioma determinado? Entonces visite nuestra página web utilizando el siguiente enlace (código QR) para ver las versiones disponibles.
- IT** Desidera ricevere informazioni esaustive su questo prodotto in una lingua specifica? Venga a visitare il nostro sito Web al seguente link (codice QR Code) per conoscere le versioni disponibili.



www.bresser.de/P7000023



GARANTIE · WARRANTY · GARANTÍA · GARANZIA



www.bresser.de/warranty_terms

Lors de l'élimination du produit et de ses accessoires, de son emballage ou de la mode d'emploi associée, respecter les règles d'élimination complémentaires applicables en France :



Points de collecte sur [www.quefaireindesdéchets.fr](http://www.quefaireindes déchets.fr)
Privilégiez la réparation ou le don de votre appareil !

English	4
Deutsch	18
Français.....	33
Nederlands	48
Español	63

Table of contents

1	Imprint	5
2	Validity note	5
3	About this Instruction Manual	6
4	General safety instructions	6
5	Parts overview and scope of delivery	9
6	Screen display	10
7	Before commissioning	11
8	Power supply	12
9	Automatic time setting	13
10	Alarm setting	14
11	Snooze function	15
12	Receiving measurements automatically	15
13	Weather trend	15
14	Adjusting the display brightness	16
15	Disposal	16
16	Warranty	17
17	EC declaration of conformity	17
18	UKCA declaration of conformity	17

1 Imprint

Bresser GmbH

Gutenbergstr. 2
46414 Rhede
Germany

www.bresser.de

For any warranty claims or service inquiries, please refer to the information on "Warranty" and "Service" in this documentation. We ask for your understanding that unsolicited returns cannot be processed.

Errors and technical changes excepted.

© 2023 Bresser GmbH

All rights reserved.

The reproduction of this documentation - even in extracts - in any form (e.g. photocopy, print, etc.) as well as the use and distribution by means of electronic systems (e.g. image file, website, etc.) without the prior written permission of the manufacturer is prohibited.

The designations and brand names of the respective companies used in this documentation are generally protected by trade, trademark and/or patent law in Germany, the European Union and/or other countries.

2 Validity note

This documentation is valid for the products with the following article numbers:

7000023

Manual version: 0523

Manual designation:

Manual_7000023_Thermo-Hydro-Quadro-NLX_en-de-fr-nl-es_BRESSER_v052023a

Always provide information when requesting service.

3 About this Instruction Manual



NOTICE

These operating instructions are to be considered a component of the device.

Read the safety instructions and the instruction manual carefully before using this device.

Keep these instruction manual in a safe place for future reference. If the device is sold or passed on, the instruction manual must be passed on to any subsequent owner/user of the product.

4 General safety instructions



DANGER

Risk of an electric shock!

This device contains electronic parts that are powered by a power source (AC adapter and/or batteries). Improper use of this product may result in electric shock. Electric shock can cause serious or fatal injuries. It is therefore imperative that you observe the following safety information.

- Never leave children unattended when handling the device! Follow the instructions carefully and do not attempt to power this device with anything other than power sources recommended in this instruction manual, otherwise there is a danger of an electric shock!
- Disconnect the power supply by pulling the mains plug when the appliance is not in use, in case of a longer interruption of operation and before any maintenance and cleaning work.

-
- Place your device so that it can be disconnected from the power supply at any time. The power outlet should always be near your appliance and should be easily accessible, as the plug of the power cord serves as a disconnect device from the mains supply.
 - To disconnect the unit from the mains, always pull the mains plug and never pull the cable!
 - Check this device, cables and connections for damage before use.
 - Never attempt to operate a damaged device, or a device with damaged electrical parts! Damaged parts must be replaced immediately by an authorized service agent.
 - Operate the device only in a completely dry environment and do not touch the device with wet or damp body parts.



DANGER



Danger of suffocation!

Improper use of this product may result in suffocation, especially for children. It is therefore imperative that you observe the following safety information.

-
- Keep packaging materials (plastic bags, rubber bands, etc.) away from children! There is a danger of choking!
 - This product contains small parts that can be swallowed by children! Choking hazard!



DANGER



Explosion hazard!

Improper use of this product may result in fire. It is essential that you observe the following safety information in order to avoid fires.

-
- Do not expose the device to high temperatures. Use only the supplied AC adapter or the recommended batteries. Do not short-circuit the device or batteries or dispose of in fire! Excessive heat and improper handling can cause short circuits, fires and even explosions!

NOTICE



Danger of material damage!

Improper handling may result in damage to the unit and/or accessories. Therefore, use the device only in accordance with the following safety information.

-
- Do not disassemble the device! In the event of a defect, please contact your dealer. They will contact the Service Center and can arrange the return of this device for repair if necessary.
 - Do not expose the device to high temperatures and protect it from water and high humidity.
 - Do not immerse the unit in water!
 - Do not subject the device to excessive vibrations.
 - Only use accessories and spare parts for this device that comply with the technical specifications.
 - Use only the recommended batteries. Always replace weak or empty batteries with a new, complete set of batteries at full capacity. Do not use batteries from different brands or types or with different capacities. Remove batteries from the device if it is not to be used for a longer period of time!
 - Do not use rechargeable batteries (accumulators).

NOTICE



Danger of voltage damage!

The manufacturer accepts no liability for voltage damage as a result of incorrectly inserted batteries, or the use of an unsuitable mains adapter!

5 Parts overview and scope of delivery

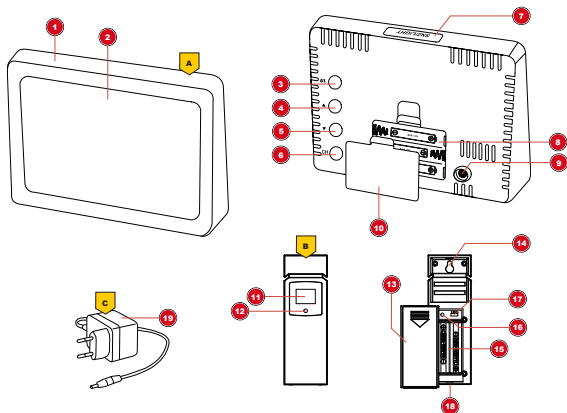


Illustration 1: All parts of base station (top) and wireless sensor (bottom)

1	Housing (base station)	2	Display (base station)
3	SET button (basic settings)	4	UP button (increase value)
5	DOWN button (decrease value or initiate RCC signal reception)	6	CH button (channel selection)
7	SNZ/LIGHT button (set snooze function / display brightness)	8	Battery compartment
9	DC connection socket for coaxial power connector	10	Battery compartment cover

11	Display (Sensor)	12	Function indicator
13	Battery compartment cover	14	Wall mount fixture
15	Battery compartment	16	RESET button (reset all settings)
17	Slide control for channel selection	18	Stand
19	Power adapter with coaxial power connector		

Scope of delivery:

Weather station (A), thermal/hygro sensor (B) (3 pieces), power adapter (C)

6 Screen display

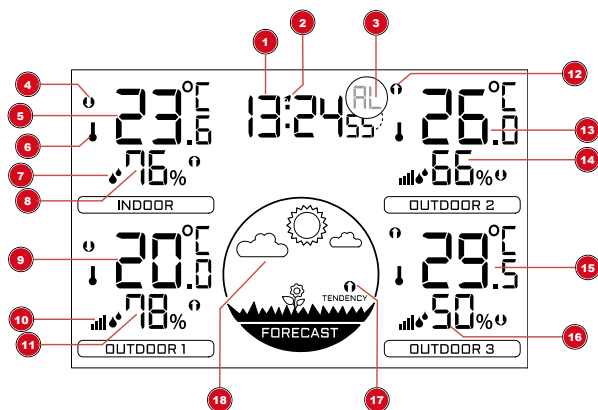


Illustration 2: Screen display

1	Current time	2	Symbol for enabled alarm
---	--------------	---	--------------------------

3	Display of seconds or symbol for the alarm time (depending on the selected mode)	4	Trend symbol (decreasing, constant or increasing)
5	Temperature indoors (in °C or °F)	6	Symbol for the temperature
7	Symbol for the humidity	8	Indoor humidity (in %)
9	Temperature outdoors (in °C or °F) (remote sensor 1)	10	Symbol for the sensor connection status
11	Humidity outdoors (in %) (remote sensor 1)	12	Trend symbol (decreasing, constant or increasing)
13	Outdoor temperature (in °C or °F) (remote sensor 2)	14	Humidity outdoors (in %) (remote sensor 2)
15	Temperature outdoors (in °C or °F) (remote sensor 3)	16	Humidity outdoors (in %) (remote sensor 3)
17	Weather trend symbol (better, steady, worse)	18	Weather forecast graphics (12 hours)

7 Before commissioning

NOTICE



Avoid connection faults!

In order to avoid connection problems between the devices, the following points must be observed during commissioning.

1. Place the base unit (receiver) and sensor (transmitter) as close together as possible.
2. Connect the power supply to the base unit and wait until the indoor temperature is displayed.
3. Establish power supply for the sensor.
4. Set up/operate the base unit and sensor within the effective transmission range.
5. Make sure that the base unit and the radio sensor are set to the same channel.

When changing the batteries, always remove the batteries from both the base unit and the sensor and reinsert them in the correct order so that the radio link can be re-established. If one of the two devices is operated via a mains power connection, the power connection must also be briefly disconnected for this device when the batteries are changed. If, for example, only the batteries in the sensor are replaced, the signal may subsequently not be received at all or not be received correctly.

Note that the actual range depends on the respective construction materials used for the buildings as well as the respective position of the base unit and the outdoor sensor. External influences (various radio transmitters and other sources of interference) can greatly reduce the possible range. In such cases, we recommend finding other locations for both the base unit and the outdoor sensor. Sometimes moving the sensor by just a few centimeters is enough!

Though the remote unit is weather proof, it should be placed away from direct sunlight, rain or snow.

8 Power supply

Base unit

1. Insert the DC plug into the connection socket on the base unit.
2. Insert the Euro plug into the mains power socket.
3. The device is powered on directly.
4. Wait until indoor temperature is displayed on the base unit.

NOTICE! For permanent operation, mains power supply is recommended. Alternatively, operation using batteries is also possible to maintain the time setting in the event of a power failure. In battery operation, the sta-

tion is set to power saving mode after 6 seconds and the display indication is deactivated. The display can be reactivated by pressing the snooze button.

For battery operation, proceed as follows:

5. Remove the battery compartment cover.
6. Insert batteries into the battery compartment. Make sure that the batteries are correctly aligned (+/- poles).
7. Replace the battery compartment cover.
8. Wait until indoor temperature is displayed on the base unit.

NOTICE! When changing the type of power supply (mains power or batteries), the power supply is temporarily interrupted for technical reasons. All previously made settings will be lost.

Wireless sensor

9. Remove the battery compartment cover.
10. Insert batteries into the battery compartment. Make sure that the batteries are correctly aligned (+/- poles).
11. Move the channel slider to the desired channel.

NOTICE! This weather station can be operated with one or more wireless sensors. Each connected wireless sensor must be operated on a different channel. If only one wireless sensor is connected, it should be operated on channel 1.

12. Replace the battery compartment cover.

9 Automatic time setting

After the power has been restored, the unit automatically searches for the radio signal. It takes approximately 3-8 minutes for this process to be completed.

If the radio signal is received correctly, the date and time are set automatically and the reception symbol is displayed.

If no radio signal has been received, proceed as follows:

1. Press the DOWN button for approx. 2 seconds to initiate the reception of the radio signal again.
2. Press the DOWN button once again for approx. 2 seconds to stop the reception of the radio signal.
3. If still no radio signal is received, the time must be set manually.



For more information on manual time setting, see section "Manual time setting".

10 Alarm setting

Alarm time setting

1. In normal display mode, press SET button to switch to alarm time display (AL).
2. Press and hold SET button for approx. 3 seconds to enter alarm time setting mode.
3. Digits to be set are flashing.
4. Press UP or DOWN button to change the value.
5. Press SET button to confirm and continue to the next setting.
6. Settings order: hours > minutes
7. Finally press the SET button to save the settings and exit the setting mode.

Enable/disable alarm

8. In normal display mode, press SET button to switch to alarm time display (AL).
9. Press DOWN button to enable the alarm. The  symbol will be displayed.
10. Press DOWN button again to disable the alarm. The  symbol will disappear from the display.

11 Snooze function

1. When the alarm sounds, press SNZ button to activate the snooze function. The alarm will sound again in 5 minutes.
2. Press any other button when the alarm sounds to interrupt the alarm until the alarm time will be reached again.

12 Receiving measurements automatically

Once the power supply is enabled, the base station will display the measurement readings for indoors. Readings from the outdoor sensor will be displayed within 3 minutes after powering it on.

If no signal is received, proceed as follows:

Press the CH button for about 3 seconds to initiate reception of measurements again.

13 Weather trend

A weather trend for the next 12 hours is calculated from the measured values and displayed graphically as follows:

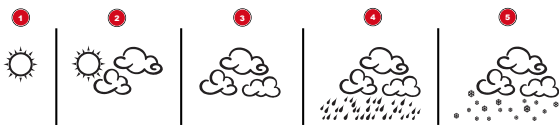


Illustration 3: Symbols of the weather trend display

1	Sunny	2	Partly Cloudy
3	Cloudy	4	Rain
5	Snow		

14 Adjusting the display brightness

1. In battery-powered operation, touch the SNZE/LIGHT button to enable full display brightness for about 10 seconds.
2. In mains operation (DC 5V), touch the SNZE/LIGHT button several times to set the desired display brightness in steps: dim - bright - off

NOTICE! In battery-powered operation, display brightness adjustment is not possible.

15 Disposal



Dispose of the packaging materials according to its type. Information on proper disposal can be obtained from the municipal waste disposal service provider or environmental agency.



Do not dispose of electronic devices in the household garbage!



According to the European Directive 2012/19/EU on Waste Electrical and Electronic Equipment and its transposition into national law, used electrical equipment must be collected separately and recycled in an environmentally sound manner.



Batteries and rechargeable batteries must not be disposed of with household waste. You are legally obliged to return used batteries and accumulators and can return them after use either at our sales outlet or in the immediate vicinity (e.g. in the trade or in municipal collection points) free of charge.

Batteries and accumulators are marked with a crossed-out dustbin and the chemical symbol of the pollutant, "Cd" stands for cadmium, "Hg" stands for mercury and "Pb" stands for lead.



Cd¹



Hg²



Pb³

16 Warranty

The regular warranty period is 2 years and starts on the day of purchase. To benefit from an extended voluntary warranty period as indicated on the gift box, registration on our website is required.

You can consult the full guarantee terms as well as information on extending the guarantee period and details of our services at **www.bresser.de/warranty_terms**.

17 EC declaration of conformity

CE Bresser GmbH hereby declares that the radio equipment type with item number 7000023 is in compliance with Directive 2014/53/EU. The full text of the EC Declaration of Conformity is available at the following web address:
www.bresser.de/download/7000023/CE/7000023_CE.pdf

18 UKCA declaration of conformity

**UK
CA** A "Declaration of Conformity" in accordance with the applicable directives and relevant standards has been issued by Bresser GmbH. The full text of the UKCA Declaration of Conformity is available at the following web address:
www.bresser.de/download/7000023/UKCA/7000023_UKCA.pdf

Bresser UK Ltd. • Suite 3G, Eden House, Enterprise Way,
Edenbridge, Kent TN8 6HF, Great Britain

Inhaltsverzeichnis

1	Impressum	19
2	Gültigkeitshinweis.....	19
3	Zu dieser Anleitung	20
4	Allgemeine Sicherheitshinweise.....	20
5	Teileübersicht und Lieferumfang	23
6	Display-Anzeigen	25
7	Vor der Inbetriebnahme	26
8	Stromversorgung herstellen.....	27
9	Automatische Zeiteinstellung.....	28
10	Weckrufeinstellung	29
11	Schlummerfunktion	29
12	Automatische Messwerteübertragung	30
13	Wettertrend.....	30
14	Helligkeit der Displayanzeige regulieren.....	30
15	Entsorgung	31
16	Garantie	31
17	EG-Konformitätserklärung	32

1 Impressum

Bresser GmbH

Gutenbergstr. 2
46414 Rhede
Germany

www.bresser.de

Für etwaige Gewährleistungsansprüche oder Serviceanfragen verweisen wir auf die Informationen zu „Garantie“ und „Service“ in dieser Dokumentation. Wir bitten um Verständnis, dass unaufgeforderte Rücksendungen nicht bearbeitet werden können.

Irrtümer und technische Änderungen vorbehalten.

© 2023 Bresser GmbH

Alle Rechte vorbehalten.

Die Reproduktion dieser Dokumentation – auch auszugsweise – in irgendeiner Form (z.B. Fotokopie, Druck, etc.) sowie die Verwendung und Verbreitung mittels elektronischer Systeme (z.B. Bilddatei, Website, etc.) ohne eine vorherige schriftliche Genehmigung des Herstellers ist nicht gestattet.

Die in dieser Dokumentation verwendeten Bezeichnungen und Markennamen der jeweiligen Firmen sind im Allgemeinen in Deutschland, der Europäischen Union und/oder weiteren Ländern waren-, marken- und/oder patentrechtlich geschützt.

2 Gültigkeitshinweis

Diese Dokumentation ist gültig für die Produkte mit den nachfolgend aufgeführten Artikelnummern:

7000023

Anleitungsversion: 0523

Bezeichnung dieser Anleitung:

Manual_7000023_Thermo-Hydro-Quadro-NLX_en-de-fr-nl-es_BRESSER_v052023a

Informationen bei Serviceanfragen stets angeben.

3 Zu dieser Anleitung



HINWEIS

Diese Bedienungsanleitung ist als Teil des Gerätes zu betrachten!

Lesen Sie vor der Benutzung des Geräts aufmerksam die Sicherheitshinweise und die Bedienungsanleitung.

Bewahren Sie diese Bedienungsanleitung für die erneute Verwendung zu einem späteren Zeitpunkt auf. Bei Verkauf oder Weitergabe des Gerätes ist die Bedienungsanleitung an jeden nachfolgenden Besitzer/Benutzer des Produkts weiterzugeben.

4 Allgemeine Sicherheitshinweise



! GEFAHR

Gefahr eines Stromschlags!

Dieses Gerät beinhaltet Elektronikteile, die über eine Stromquelle (Netzteil und/oder Batterien) betrieben werden. Bei unsachgemäßer Verwendung dieses Produkts besteht die Gefahr eines Stromschlags. Ein Stromschlag kann zu schweren bis tödlichen Verletzungen führen. Beachten Sie daher unbedingt die nachfolgenden Sicherheitsinformationen.

- Lassen Sie Kinder beim Umgang mit dem Gerät nie unbeaufsichtigt! Die Nutzung darf nur, wie in der Anleitung beschrieben, erfolgen, andernfalls besteht die Gefahr eines Stromschlags!
- Unterbrechen Sie die Stromzufuhr, wenn Sie das Gerät nicht benutzen, im Falle einer längeren Betriebsunterbrechung sowie vor allen Wartungs- und Reinigungsarbeiten, indem Sie den Netzstecker ziehen.

-
- Platzieren Sie Ihr Gerät so, dass es jederzeit vom Stromnetz getrennt werden kann. Die Netzsteckdose sollte sich immer in der Nähe Ihres Geräts befinden und gut zugänglich sein, da der Stecker des Netzkabels als Trennvorrichtung zum Stromnetz dient.
 - Um das Gerät vom Stromnetz zu trennen, ziehen Sie immer am Netzstecker und niemals am Kabel!
 - Überprüfen Sie das Gerät, die Kabel und Anschlüsse vor Inbetriebnahme auf Beschädigungen.
 - Beschädigtes Gerät oder ein Gerät mit beschädigten stromführenden Teilen niemals in Betrieb nehmen! Beschädigte Teile müssen umgehend von einem autorisierten Service-Betrieb ausgetauscht werden.
 - Betreiben Sie das Gerät nur in vollkommen trockener Umgebung und berühren Sie das Gerät nicht mit nasen oder feuchten Körperteilen.



GEFAHR



Erstickungsgefahr!

Bei unsachgemäßer Verwendung dieses Produkts besteht Erstickungsgefahr, insbesondere für Kinder. Beachten Sie deshalb unbedingt die nachfolgenden Sicherheitsinformationen.

-
- Verpackungsmaterialien (Plastiktüten, Gummibänder, etc.) von Kindern fernhalten! Es besteht Erstickungsgefahr!
 - Dieses Produkt beinhaltet Kleinteile, die von Kindern verschluckt werden können! Es besteht Erstickungsgefahr!



GEFAHR



Explosionsgefahr!

Bei unsachgemäßer Verwendung dieses Produkts besteht Explosionsgefahr. Beachten Sie unbedingt die nachfolgenden Sicherheitsinformationen, um eine Explosion zu vermeiden.

- Setzen Sie das Gerät keinen hohen Temperaturen aus. Benutzen Sie nur das mitgelieferte Netzteil oder die empfohlenen Batterien. Gerät und Batterien nicht kurzschließen oder ins Feuer werfen! Durch übermäßige Hitze und unsachgemäße Handhabung können Kurzschlüsse, Brände und sogar Explosionen ausgelöst werden!

HINWEIS



Gefahr von Sachschäden!

Bei unsachgemäßer Handhabung können das Gerät und/oder die Zubehörteile beschädigt werden. Verwenden Sie das Gerät deshalb nur entsprechend den nachfolgenden Sicherheitsinformationen.

- Bauen Sie das Gerät nicht auseinander! Wenden Sie sich im Falle eines Defekts an Ihren Fachhändler. Er nimmt mit dem Service-Center Kontakt auf und kann das Gerät ggf. zwecks Reparatur einschicken.
- Setzen Sie das Gerät keinen hohen Temperaturen aus und schützen Sie es vor Wasser und hoher Luftfeuchtigkeit.
- Gerät nicht in Wasser tauchen!
- Setzen Sie das Gerät keinen Erschütterungen aus.
- Verwenden Sie für dieses Gerät nur Zubehör- und Ersatzteile die den technischen Angaben entsprechen.

- Nur die empfohlenen Batterien verwenden. Schwache oder verbrauchte Batterien immer durch einen komplett neuen Satz Batterien mit voller Kapazität ersetzen. Keine Batterien unterschiedlicher Marken, Typen oder mit unterschiedlich hoher Kapazität verwenden. Batterien aus dem Gerät entfernen wenn es längere Zeit nicht benutzt wird.
- Verwenden Sie keine wieder aufladbaren Batterien (Akkus).

HINWEIS



Gefahr von Spannungsschäden!

Für Spannungsschäden in Folge falsch eingelegter Batterien oder durch die Nutzung eines nicht geeigneten Netzteils übernimmt der Hersteller keine Haftung!

5 Teileübersicht und Lieferumfang

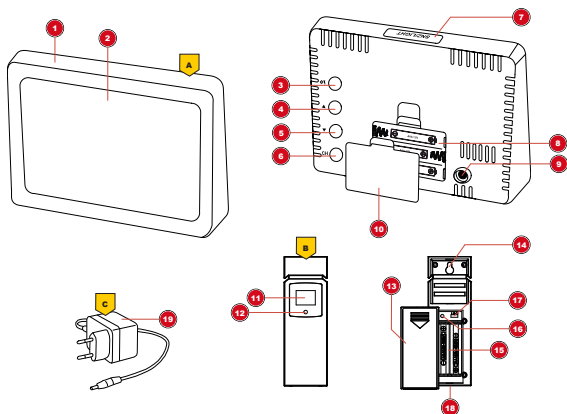


Abb. 1: Alle Teile der Basisstation (oben) und des Funkensors (unten)

1	Gehäuse (Basisstation)	2	Display (Basisstation)
---	------------------------	---	------------------------

3	SET-Taste (Grundeinstellungen)	4	UP-Taste (Wert erhöhen)
5	DOWN-Taste (Wert verringern oder RCC-Signalempfang initiieren)	6	CH-Taste (Kanalwahl)
7	SNZ/LIGHT-Taste (Schlummerfunktion / Displayhelligkeit einstellen)	8	Batteriefach
9	DC-Anschlussbuchse für Hohlstecker	10	Batteriefachabdeckung
11	Display (Sensor)	12	Funktionsleuchte
13	Batteriefachabdeckung	14	Vorrichtung für Wandmontage
15	Batteriefach	16	RESET-Knopf (alle Einstellungen zurücksetzen)
17	Schieberegler für die Kanalwahl	18	Standfuß
19	DC-Netzadapter mit Hohlstecker		

Lieferumfang:

Wetterstation (A), Thermo-/Hygrosensor (B) (3 Stück), Netzadapter (C)

6 Display-Anzeigen

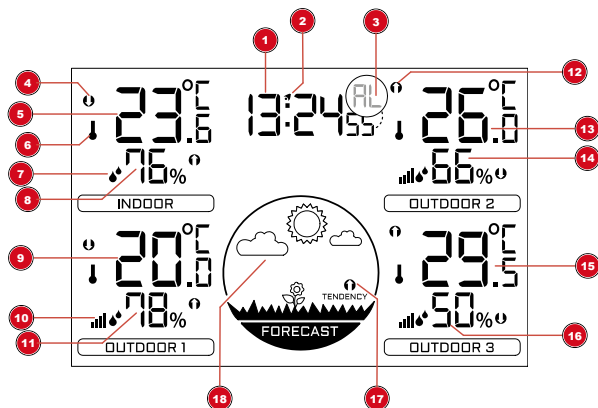


Abb. 2: Display-Anzeigen

1	Aktuelle Uhrzeit	2	Symbol bei aktiviertem Weckruf
3	Sekundenanzeige oder Weckzeitsymbol (abhängig vom gewählten Modus)	4	Trendsymbol (sinkend, gleichbleibend oder steigend)
5	Innentemperatur (in °C oder °F)	6	Symbol für die Temperatur
7	Symbol für die Luftfeuchtigkeit	8	Luftfeuchtigkeit innen (in %)
9	Außentemperatur (in °C oder °F) (Funksensor 1)	10	Symbol für den Verbindungsstatus zum Sensor
11	Luftfeuchtigkeit außen (in %) (Funksensor 1)	12	Trendsymbol (sinkend, gleichbleibend oder steigend)
13	Außentemperatur (in °C oder °F) (Funksensor 2)	14	Luftfeuchtigkeit außen (in %) (Funksensor 2)
15	Außentemperatur (in °C oder °F) (Funksensor 3)	16	Luftfeuchtigkeit außen (in %) (Funksensor 3)

17	Symbol für den Wettertrend (besser, gleichbleibend, schlechter)	18	Grafik für die Wettervorhersage (12 Stunden)
----	---	----	--

7 Vor der Inbetriebnahme

HINWEIS



Vermeidung von Verbindungsstörungen!

Um Verbindungsstörungen zwischen den Geräten zu vermeiden, sind die folgenden Punkte bei der Inbetriebnahme zu beachten.

1. Basisgerät (Empfänger) und Sensor (Sender) so nah wie möglich nebeneinander stellen/legen.
2. Stromversorgung für das Basisgerät herstellen und warten bis die Innentemperatur angezeigt wird.
3. Stromversorgung für den Sensor herstellen.
4. Basisgerät und Sensor innerhalb des effektiven Übertragungsbereichs aufstellen/betreiben.
5. Sicherstellen, dass Basisgerät und Funksensor auf den gleichen Kanal eingestellt sind.

Bei einem Batteriewechsel stets die Batterien sowohl im Basisgerät als auch im Sensor entfernen und in richtiger Reihenfolge wieder neu einsetzen, damit die Funkverbindung erneut aufgebaut werden kann. Wird eines der beiden Geräte über einen Netzstromanschluss betrieben, so muss auch für dieses bei einem Batteriewechsel kurzzeitig die Stromverbindung getrennt werden. Werden z.B. nur die Batterien im Sensor ausgetauscht, kann das Signal anschließend gar nicht oder nicht mehr korrekt empfangen werden.

Beachten Sie, dass die tatsächliche Reichweite von den jeweils verwendeten Baumaterialien der Gebäude sowie der jeweiligen Position der Basiseinheit und des Außensensors abhängt. Durch externe Einflüsse (diverse Funksender und andere Störquellen) kann sich die mögliche Reichweite stark verringern. In solchen Fällen empfehlen wir, sowohl für das

Basisgerät als auch den Außensensor andere Standorte zu suchen. Manchmal reicht schon ein Verschieben um wenige Zentimeter!

Obwohl der Außensensor wetterfest ist, sollte er nicht an Orten mit Einfall von direkter Sonneneinstrahlung, Regen oder Schnee platziert werden.

8 Stromversorgung herstellen

Basisgerät

1. DC-Stecker in die Anschlussbuchse am Basisgerät stecken.
2. Netzstecker in die Steckdose stecken.
3. Das Gerät wird direkt mit Strom versorgt.
4. Warten bis die Innentemperatur auf dem Basisgerät angezeigt wird.

HINWEIS! Für einen dauerhaften Betrieb wird die Stromversorgung über Netzstrom empfohlen. Alternativ ist auch ein Betrieb mittels Batterien möglich, um die Zeiteinstellung bei Stromausfall zu halten. Im Batteriebetrieb wird die Station nach 6 Sekunden in den Stromsparmmodus versetzt und die Displayanzeige deaktiviert. Durch Betätigen der Snooze-Taste kann die Displayanzeige wieder aktiviert werden.

Für den Batteriebetrieb folgendermaßen vorgehen:

5. Batteriefachdeckel entfernen.
6. Batterien in das Batteriefach einsetzen. Dabei die korrekte Ausrichtung der Batteriepole (+/-) beachten.
7. Batteriefachdeckel wieder aufsetzen.
8. Warten bis Innentemperatur auf dem Basisgerät angezeigt wird.

HINWEIS! Beim Wechsel der Stromversorgungsart (Netzstrom oder Batterien) wird die Stromversorgung technisch bedingt kurzzeitig unterbrochen. Dabei gehen alle zuvor vorgenommenen Einstellungen verloren. Ausnahme: dauerhafter Batteriebetrieb.

Funksensor

9. Batteriefachdeckel entfernen.
10. Batterien in das Batteriefach einsetzen. Dabei die korrekte Ausrichtung der Batteriepole (+/-) beachten.
11. Kanal-Wahlschalter auf den gewünschten Kanal einstellen.

HINWEIS! Diese Wetterstation kann mit einem oder mehreren Funksensoren betrieben werden. Jeder angeschlossene Funksensor muss auf einem anderen Kanal betrieben werden. Ist nur ein Funksensor angeschlossen, sollte dieser auf Kanal 1 betrieben werden.

12. Batteriefachdeckel wieder aufsetzen.

9 Automatische Zeiteinstellung

Nachdem die Stromversorgung hergestellt wurde, sucht das Gerät automatisch nach dem Funksignal. Es dauert etwa 3-8 Minuten bis dieser Prozess abgeschlossen ist.

Bei korrektem Empfang des Funksignals werden Datum und Uhrzeit automatisch eingestellt und das Empfangssymbol wird angezeigt.

Wird kein Funksignal empfangen, folgendermaßen vorgehen:

1. DOWN-Taste ca. 2 Sekunden drücken, um den Empfang des Funksignals erneut zu initiieren.
2. DOWN-Taste erneut ca. 2 Sekunden drücken um den Empfang des Funksignals zu beenden.
3. Wird weiterhin kein Funksignal empfangen, muss die Zeiteinstellung manuell vorgenommen werden.



Nähere Informationen zur manuellen Zeiteinstellung sind dem Kapitel „Manuelle Zeiteinstellung“ zu entnehmen.

10 Weckrufeinstellung

Weckzeit einstellen

1. Im normalen Anzeigemodus die SET-Taste drücken, um zur Weckzeitanzeige (AL) zu wechseln.
2. SET-Taste ca. 3 Sekunden drücken um in den Weckzeiteinstellmodus zu gelangen.
3. Die einzustellenden Ziffern blinken.
4. UP- oder DOWN-Taste drücken, um den Wert zu verändern.
5. SET-Taste drücken, um die Eingabe zu bestätigen und zur nächsten Einstellung zu wechseln.
6. Reihenfolge der Einstellungen: Stunden > Minuten
7. SET-Taste abschließend drücken, um die Einstellungen zu speichern und den Einstellmodus zu verlassen.

Weckruf aktivieren/deaktivieren

8. Im normalen Anzeigemodus die SET-Taste drücken, um zur Weckzeitanzeige (AL) zu wechseln.
9. DOWN-Taste drücken, um den Weckruf zu aktivieren. Das Symbol  wird auf dem Display angezeigt.
10. DOWN-Taste erneut drücken, um den Weckruf zu deaktivieren. Das Symbol  wird nicht mehr auf dem Display angezeigt.

11 Schlummerfunktion

1. Beim Ertönen des Weckrufs die SNZ-Taste drücken, um die Schlummerfunktion zu aktivieren. Weckruf ertönt erneut nach 5 Minuten.

2. Beim Ertönen des Weckrufs eine beliebige andere Taste drücken, um den Weckruf bis zum erneuten Erreichen der eingestellten Weckzeit auszusetzen.

12 Automatische Messwerteübertragung

Sobald die Stromversorgung hergestellt wurde, beginnt die Basisstation mit der Anzeige der Messwerte für den Innenbereich. Die ersten vom Außensensor empfangenen Messwerte werden innerhalb von etwa 3 Minuten nach Inbetriebnahme angezeigt.

Wird kein Signal empfangen, folgendermaßen vorgehen:
CH-Taste ca. 3 Sekunden drücken, um den Empfang der Messwerte erneut zu initiieren.

13 Wettertrend

Aus den gemessenen Werten wird ein Wettertrend für die nächsten 12 Stunden errechnet und folgendermaßen grafisch dargestellt:



Abb. 3: Symbole der Wettertrendanzeige

1	Sonnig	2	Teilweise bewölkt
3	Bewölkt	4	Regen
5	Schnee		

14 Helligkeit der Displayanzeige regulieren

1. Bei Batteriebetrieb die SNZ/LIGHT-Taste drücken, um die volle Displayhelligkeit für etwa 10 Sekunden zu aktivieren.

2. Im Netzbetrieb (DC 5V) die SNZ/LIGHT-Taste mehrmals drücken, um die gewünschte Displayhelligkeit in 3 Stufen einzustellen.

HINWEIS! Im Batteriebetrieb ist keine Regulierung der Displayhelligkeit möglich.

15 Entsorgung



Entsorgen Sie die Verpackungsmaterialien sortenrein. Informationen zur ordnungsgemäßen Entsorgung erhalten Sie beim kommunalen Entsorgungsdienstleister oder Umweltamt.



Werfen Sie Elektrogeräte nicht in den Hausmüll!
Gemäß der Europäischen Richtlinie 2012/19/EG über Elektro- und Elektronik-Altgeräte und deren Umsetzung in nationales Recht müssen verbrauchte Elektrogeräte getrennt gesammelt und einer umweltgerechten Wiederverwertung zugeführt werden.



Batterien und Akkus dürfen nicht im Hausmüll entsorgt werden. Sie sind zur Rückgabe gebrauchter Batterien und Akkus gesetzlich verpflichtet und können die Batterien nach Gebrauch entweder in unserer Verkaufsstelle oder in unmittelbarer Nähe (z.B. im Handel oder in kommunalen Sammelstellen) unentgeltlich zurückgeben.

Batterien und Akkus sind mit einer durchgekreuzten Mülltonne sowie dem chemischen Symbol des Schadstoffes bezeichnet, "Cd" steht für Cadmium, "Hg" steht für Quecksilber und "Pb" steht für Blei.



Cd¹



Hg²



Pb³

16 Garantie

Die reguläre Garantiezeit beträgt 2 Jahre und beginnt am Tag des Kaufs. Um von einer verlängerten, freiwilligen Garantiezeit wie auf dem Geschenkkarton angegeben zu profitieren, ist eine Registrierung auf unserer Website erforderlich.

Die vollständigen Garantiebedingungen sowie Informationen zu Garantiezeitverlängerung und Serviceleistungen können Sie unter **www.bresser.de/garantiebedingungen** einsehen.

17 EG-Konformitätserklärung

CE Hiermit erklärt Bresser GmbH, dass der Funkanlagentyp mit Artikelnummer 7000023 der Richtlinie 2014/53/EU entspricht. Der vollständige Text der EG-Konformitätserklärung ist unter der folgenden Internetadresse verfügbar:
www.bresser.de/download/7000023/CE/7000023_CE.pdf

Table des matières

1	Impression.....	34
2	Note de validité.....	34
3	A propos de ce mode d'emploi	35
4	Consignes générales de sécurité	35
5	Vue d'ensemble des pièces et étendue de la livraison	38
6	Écran d'affichage	40
7	Avant la mise en service	41
8	Source d'alimentation	42
9	Réglage automatique de l'heure	43
10	Réglage de l'alarme.....	44
11	Fonction de répétition du réveil (snooze).....	44
12	Recevoir les mesures automatiquement	45
13	Tendance météo	45
14	Réglage de la luminosité de l'écran	45
15	Recyclage.....	46
16	Garantie	47
17	Déclaration de conformité CE	47

1 Impression

Bresser GmbH

Gutenbergstr. 2
46414 Rhede
Germany

www.bresser.de

Pour toute demande de garantie ou de service, veuillez vous référer aux informations sur la "Garantie" et le "Service" dans cette documentation. Nous vous demandons de comprendre que les retours non sollicités ne peuvent être traités.

Sous réserve d'erreurs et de modifications techniques.

© 2023 Bresser GmbH

Tous droits réservés.

La reproduction de cette documentation - même partielle - sous quelque forme que ce soit (par ex. photocopie, impression, etc.) ainsi que l'utilisation et la diffusion au moyen de systèmes électroniques (par ex. fichier image, site Internet, etc.) sans l'autorisation écrite préalable du fabricant sont interdites.

Les désignations et les marques des sociétés respectives utilisées dans cette documentation sont généralement protégées par le droit commercial, le droit des marques et/ou le droit des brevets en Allemagne, dans l'Union européenne et/ou dans d'autres pays.

2 Note de validité

Cette documentation est valable pour les produits portant les numéros d'article suivants :

7000023

Version du manuel : 0523

Désignation du manuel :

Manual_7000023_Thermo-Hydro-Quadro-NLX_en-de-fr-nl-es_BRESSER_v052023a

Toujours fournir des informations lors de la demande de service.

3 A propos de ce mode d'emploi

INFORMATION



Ce mode d'emploi fait partie intégrante de l'appareil.

Lire attentivement les consignes de sécurité et le mode d'emploi avant d'utiliser l'appareil.

Conservez ce manuel d'instructions dans un endroit sûr pour pouvoir le consulter ultérieurement. En cas de vente ou de cession de l'appareil, le manuel d'instructions doit être transmis à tout propriétaire/utilisateur ultérieur du produit.

4 Consignes générales de sécurité

DANGER



RISQUE D'ÉLECTROCUTION !

Cet appareil contient des pièces électroniques qui sont alimentées par une source d'énergie (adaptateur secteur et/ou piles). Une utilisation incorrecte de ce produit peut entraîner un choc électrique. Le choc électrique peut causer des blessures graves ou mortelles. Il est donc impératif que vous respectiez les consignes de sécurité suivantes.

- Ne laissez jamais les enfants sans surveillance lorsque vous manipulez l'appareil ! Suivez attentivement les instructions et n'essayez pas d'alimenter cet appareil avec autre chose que les sources d'énergie recommandées dans ce manuel d'instructions, sinon il y a un risque de choc électrique !

-
- Débranchez l'alimentation électrique en tirant sur la fiche secteur lorsque l'appareil n'est pas utilisé, en cas d'interruption prolongée du fonctionnement et avant tout travail d'entretien et de nettoyage.
 - Placez votre appareil de manière à ce qu'il puisse être débranché à tout moment. La prise de courant doit toujours se trouver à proximité de votre appareil et doit être facilement accessible, car la fiche du cordon d'alimentation sert de dispositif de déconnexion du secteur.
 - Pour déconnecter l'appareil du secteur, tirez toujours sur la fiche secteur et ne tirez jamais sur le câble !
 - Avant la mise en service, vérifiez que l'appareil, les câbles et les connexions ne sont pas endommagés.
 - N'essayez jamais de faire fonctionner un appareil endommagé, ou un appareil dont les pièces électriques sont endommagées ! Les pièces endommagées doivent être remplacées immédiatement par un agent de service autorisé.
 - Utilisez l'appareil uniquement dans un environnement complètement sec et ne touchez pas l'appareil avec des parties du corps mouillées ou humides.



DANGER



Risque d'étouffement !

Une utilisation incorrecte de ce produit peut entraîner une suffocation, en particulier chez les enfants. Il est donc impératif que vous respectiez les consignes de sécurité suivantes.

-
- Conservez les matériaux d'emballage (sacs en plastique, élastiques, etc.) hors de portée des enfants !
 - Ce produit contient des petites pièces qui peuvent être avalées par les enfants ! Risque d'étouffement !



DANGER



RISQUE D'INCENDIE/EXPLOSION

Une utilisation incorrecte de ce produit peut entraîner un incendie. Il est essentiel que vous observiez les informations de sécurité suivantes afin d'éviter les incendies.

- N'exposez pas l'appareil à des températures élevées. Utilisez uniquement l'adaptateur secteur fourni ou les piles recommandées. Ne court-circuitez pas l'appareil ou les piles et ne les jetez pas au feu ! Une chaleur excessive et une mauvaise manipulation peuvent provoquer des courts-circuits, des incendies et même des explosions !

INFORMATION



Danger de dommages matériels !

Une manipulation incorrecte peut entraîner des dommages à l'appareil et/ou aux accessoires. Par conséquent, n'utilisez l'appareil que conformément aux consignes de sécurité suivantes.

- Ne démontez pas l'appareil ! En cas de défaut, veuillez contacter votre revendeur. Il prendra contact avec le centre de service et pourra organiser le retour de cet appareil pour réparation si nécessaire.
- N'exposez pas l'appareil à des températures élevées et protégez-le de l'eau et de l'humidité élevée.
- Ne pas immerger l'appareil dans l'eau.
- Ne pas soumettre l'appareil à des vibrations.
- N'utilisez pour cet appareil que des accessoires et des pièces de rechange conformes aux spécifications techniques.

- N'utilisez que les piles recommandées. Remplacez toujours les piles faibles ou vides par un jeu complet de piles neuves à pleine capacité. N'utilisez pas de piles de marques ou de types différents ou de capacités différentes. Retirez les piles de l'appareil s'il ne doit pas être utilisé pendant une longue période !
- N'utilisez pas de piles rechargeables (accumulateurs).

INFORMATION



Danger de détérioration de la tension !

Le fabricant décline toute responsabilité en cas de dommages causés par des piles mal insérées ou par l'utilisation d'un adaptateur secteur inadapté !

5 Vue d'ensemble des pièces et étendue de la livraison

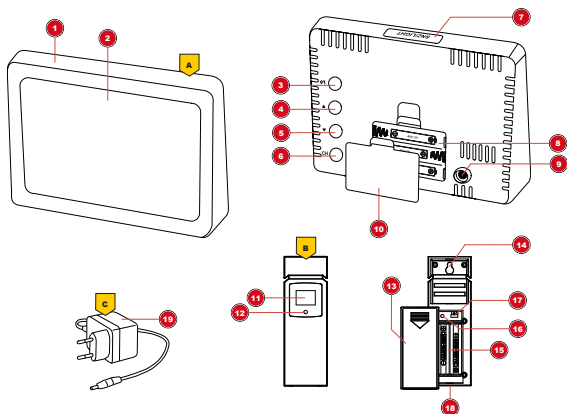


Fig. 1: Toutes les parties de la station de base (en haut) et du capteur sans fil (en bas)

1	Boîtier (station de base)	2	Affichage (station de base)
---	---------------------------	---	-----------------------------

3	Bouton Set (paramètres de base)	4	Bouton UP (augmenter la valeur)
5	Bouton BAS (diminue la valeur ou active la réception du signal RCC)	6	Bouton CH (sélection du canal)
7	Bouton SNZ/LIGHT (fonction de répétition / réglage de la luminosité de l'écran)	8	Compartiment des piles
9	Prise de connexion DC adaptateur secteur	10	Couvercle du compartiment à piles
11	Affichage (capteur)	12	Indicateur de fonctionnement
13	Couvercle du compartiment des piles	14	Fixation murale
15	Compartiment des piles	16	Bouton RESET (réinitialiser tous les paramètres)
17	Curseur pour la sélection du canal	18	Support de table
19	Adaptateur d'alimentation avec connecteur d'alimentation coaxial		

Contenu de la livraison:

Station météo (A), capteur thermo-hygro (B) (3 unités), adaptateur secteur (C)

6 Écran d'affichage

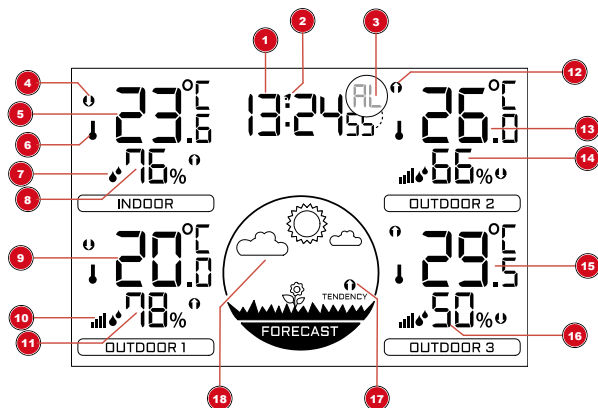


Fig. 2: Écran d'affichage

1	Heure actuelle	2	Symbole d'alarme activée
3	Affichage des secondes ou symbole de l'heure de l'alarme (selon le mode sélectionné)	4	Symbole de la tendance (en baisse, stable ou en hausse)
5	Température à l'intérieur (en ° C ou ° F)	6	Symbole pour la température
7	Symbole pour l'humidité	8	Humidité intérieure (en %)
9	Température extérieure (en ° C ou ° F) (capteur à distance n°1)	10	Symbole pour l'état de connexion du capteur
11	Humidité à l'extérieur (en %) (capteur à distance n°1)	12	Symbole de tendance (en baisse, stable ou en hausse)
13	Température extérieure (en ° C ou ° F) (capteur à distance 2)	14	Humidité à l'extérieur (en%) (capteur à distance n°2)

15	Température extérieure (en ° C ou ° F) (capteur à distance n°3)	16	Humidité à l'extérieur (en%) (capteur à distance n°3)
17	Symbole de tendance météorologique (meilleur, stable, pire)	18	Graphiques des prévisions météorologiques (12 heures)

7 Avant la mise en service

INFORMATION



Évitez les erreurs de connexion !

Afin d'éviter les problèmes de connexion entre les appareils, les points suivants doivent être respectés lors de la mise en service.

1. Placez l'unité de base (récepteur) et le capteur (émetteur) aussi près que possible l'un de l'autre.
2. Installez l'alimentation électrique de la station de base et attendez que la température intérieure soit affichée.
3. Établir l'alimentation électrique du capteur.
4. Installer/exploiter l'unité de base et le capteur dans la portée de transmission effective.
5. Assurez-vous que l'unité de base et le capteur radio sont réglés sur le même canal.

Lorsque vous changez les piles, retirez toujours les piles de l'unité de base et du capteur et réinsérez-les dans le bon ordre pour que la connexion radio puisse être rétablie. Si l'un des deux appareils fonctionne par l'intermédiaire d'une connexion au secteur, la connexion au secteur de cet appareil doit également être brièvement débranchée lors du remplacement de la pile. Si, par exemple, seules les piles du capteur sont remplacées, le signal ne peut pas être reçu ou ne peut plus être reçu correctement.

Notez que la portée réelle dépend des matériaux de construction utilisés dans le bâtiment et de la position de l'unité de base et du capteur extérieur. Les influences exté-

rieures (divers émetteurs radio et autres sources d'interférence) peuvent réduire considérablement la portée possible. Dans ce cas, nous recommandons de trouver d'autres emplacements pour l'unité de base et le capteur extérieur. Parfois, un déplacement de quelques centimètres suffit !

Bien que l'unité distante soit résistante aux intempéries, elle doit être placée à l'abri de la lumière directe du soleil, de la pluie ou de la neige.

8 Source d'alimentation

Unité de base

1. Insérez la fiche DC dans la prise de connexion de l'unité de base.
2. Insérez le transformateur Euro dans la prise de courant.
3. L'appareil est directement mis sous tension.
4. Attendez que la température intérieure soit affichée sur la station de base.

INFORMATION ! Pour un fonctionnement permanent, une alimentation secteur est recommandée. Alternativement, le fonctionnement à l'aide de batteries est également possible pour maintenir le réglage de l'heure en cas de panne de courant. En fonctionnement sur batterie, la station est réglée en mode d'économie d'énergie après 6 secondes et l'indication d'affichage est désactivée. L'écran peut être réactivé en appuyant sur le bouton snooze.

Pour le fonctionnement sur batterie, procédez comme suit :

5. Retirez le couvercle du compartiment des piles.
6. Insérez les piles dans le compartiment à piles. Assurez-vous que les bornes des piles sont correctement alignées (+/-).
7. Remplacez le couvercle du compartiment des piles.

-
- Attendez que la température intérieure soit affichée sur la station de base.

INFORMATION ! Lors du changement de type d'alimentation (alimentation secteur ou piles), l'alimentation est temporairement interrompue pour des raisons techniques. Tous les paramètres précédemment effectués seront perdus.

Capteur sans fil

- Retirez le couvercle du compartiment des piles.
- Insérez les piles dans le compartiment à piles. Assurez-vous que les bornes des piles sont correctement alignées (+/-).
- Déplacez le curseur du canal sur le canal souhaité.

INFORMATION ! Cette station de température et hygrométrie peut être exploitée avec jusqu'à 1 capteurs à distance. Chaque capteur à distance connecté doit fonctionner sur un canal différent. Si un seul capteur à distance est connecté, il doit être exploité sur le canal 1.

- Remplacez le couvercle du compartiment des piles.

9 Réglage automatique de l'heure

Une fois l'alimentation établie, l'horloge recherche automatiquement le signal radio, ce qui prend environ 3 à 8 minutes pour terminer ce processus.

Si le signal radio est reçu correctement, la date et l'heure sont automatiquement réglées et l'icône du signal radio s'allume.

Si aucun signal n'est reçu, suivez les étapes suivantes :

- Appuyez sur la touche DOWN pendant environ 2 secondes pour réactiver la réception du signal radio.
- Appuyez sur la touche DOWN pendant environ 2 secondes pour réactiver la réception du signal radio.

-
3. Si l'appareil ne reçoit toujours pas le signal, l'heure doit être réglée manuellement.



Pour plus d'informations sur le réglage manuel de l'heure, voir la section "Réglage manuel de l'heure".

10 Réglage de l'alarme

Réglage de l'heure de l'alarme

1. En mode d'affichage normal, appuyez sur le bouton SET pour passer à l'affichage de l'heure de l'alarme (AL).
2. Appuyez et maintenez enfoncé le bouton SET pendant environ 3 secondes pour entrer en mode de réglage de l'heure de l'alarme.
3. Les chiffres à définir clignotent.
4. Appuyez sur le bouton UP ou DOWN pour changer la valeur.
5. Appuyez sur le bouton SET pour confirmer et passer au réglage suivant.
6. Paramètres ordre : heures > minutes
7. Enfin, appuyez sur le bouton SET pour enregistrer les paramètres et quitter le mode de configuration.

Activer / désactiver l'alarme

8. En mode d'affichage normal, appuyez sur le bouton SET pour passer à l'affichage de l'heure de l'alarme (AL).
9. Appuyez sur le bouton BAS pour activer l'alarme. Le symbole  sera affiché.
10. Appuyez à nouveau sur le bouton BAS pour désactiver l'alarme. Le symbole  disparaît de l'écran.

11 Fonction de répétition du réveil (snooze)

1. Lorsque le réveil sonne, presser le bouton SNZ afin d'activer la fonction de répétition. Le réveil sonne alors de nouveau après 5 minutes.

2. Lorsque le réveil sonne, presser n'importe quel bouton pour éteindre la sonnerie jusqu'à ce que l'heure de réveil réglée soit de nouveau atteinte.

12 Recevoir les mesures automatiquement

Dès que l'alimentation est activée, la station de base affiche les valeurs de mesure pour l'intérieur. Les valeurs du capteur extérieur s'affichent dans les 3 minutes qui suivent sa mise sous tension.

Si aucun signal n'est reçu, suivez les étapes suivantes :

Appuyer sur la touche CH pendant environ 3 secondes pour réactiver la réception des mesures.

13 Tendances météo

Une tendance météorologique pour les 12 heures suivantes est calculée à partir des valeurs mesurées et affichée graphiquement comme suit :

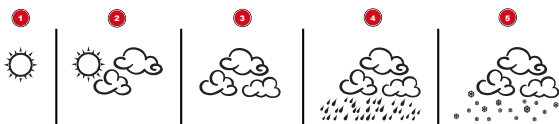


Fig. 3: Symboles de l'affichage des tendances météorologiques

1	Ensoleillé	2	Partiellement nuageux
3	Nuageux	4	Pluie
5	Neige		

14 Réglage de la luminosité de l'écran

1. En fonctionnement sur piles, touchez la touche SNOOZE/LIGHT pour activer la luminosité complète de l'écran pendant environ 10 secondes.

2. En fonctionnement sur secteur (DC 5V), touchez la surface tactile SNOOZE/LIGHT plusieurs fois pour régler la luminosité de l'écran souhaitée par paliers : faible - lumineux - éteint

INFORMATION ! En cas de fonctionnement sur piles, il n'est pas possible de régler la luminosité de l'écran.

15 Recyclage



Éliminez les matériaux d'emballage en fonction de leur type. Des informations sur l'élimination appropriée peuvent être obtenues auprès du prestataire de services d'élimination des déchets de la municipalité ou de l'agence environnementale.



Ne jamais éliminer les appareils électriques avec les ordures ménagères !



Conformément à la directive européenne 2012/19/UE relative aux déchets d'équipements électriques et électroniques et à sa transposition en droit national, les équipements électriques usagés doivent être collectés séparément et recyclés de manière écologique.



Les piles et les batteries rechargeables ne doivent pas être jetées avec les ordures ménagères. Vous êtes légalement tenu de rapporter les piles et accumulateurs usagés et vous pouvez les rapporter gratuitement après utilisation, soit dans notre point de vente, soit à proximité immédiate (par exemple dans le commerce ou dans les points de collecte municipaux).

Les piles et les batteries rechargeables sont marquées du symbole d'une poubelle barrée et du symbole chimique du polluant. "Cd" signifie cadmium, "Hg" signifie mercure et "Pb" signifie plomb.



Cd¹



Hg²



Pb³

16 Garantie

La période de garantie normale est de 2 ans et commence le jour de l'achat. Pour bénéficier d'une période de garantie prolongée (prestation non obligatoire) telle qu'indiquée sur la boîte cadeau, une inscription sur notre site internet est nécessaire.

Vous pouvez consulter l'intégralité des conditions de garantie ainsi que les informations sur l'extension de la période de garantie et le détail de nos services via le lien suivant : **www.bresser.de/garantiebedingungen**.

17 Déclaration de conformité CE

CE Par la présente, Bresser GmbH déclare que le type d'équipement portant le numéro d'article 7000023 : est conforme à la directive : 2014/53/UE. Le texte complet de la déclaration de conformité de l'UE est disponible à l'adresse internet suivante : www.bresser.de/download/7000023/CE/7000023_CE.pdf

Inhoudsopgave

1	Imprint	49
2	Geldigheidsverklaring	49
3	Over deze handleiding	50
4	Algemene veiligheidsinstructies	50
5	Onderdelenoverzicht en leveringsomvang	53
6	Schermwweergave	55
7	Vóór gebruik	56
8	Instellen van de stroomvoorziening	57
9	Automatische tijdinstelling	58
10	Alarm instellen	59
11	Snooze-functie	59
12	Automatische ontvangst van de metingen	60
13	Weertrend	60
14	Instellen van de helderheid van het scherm	60
15	Verwerking	61
16	Garantie	61
17	EG-verklaring van overeenstemming	62

1 Imprint

Bresser GmbH

Gutenbergstr. 2
46414 Rhede
Germany

www.bresser.de

Voor eventuele garantieclaims of vragen over dienstverlening verwijzen wij u naar de informatie over "Garantie" en "Service" in deze handleiding. Wij vragen uw begrip voor het feit dat we retourzendingen, die niet door ons zijn goedgekeurd niet kunnen behandelen.

Fouten en technische wijzigingen voorbehouden.

© 2023 Bresser GmbH

Alle rechten voorbehouden.

De reproductie van deze documentatie - zelfs in uittreksels - in welke vorm dan ook (bv. fotokopie, afdrukken, enz.) evenals het gebruik en de verspreiding door middel van elektronische systemen (bv. beeldbestand, website, enz.) zonder de voorafgaande schriftelijke toestemming van de fabrikant is verboden.

De benamingen en merknamen van de respectievelijke bedrijven die in deze documentatie worden gebruikt, zijn over het algemeen beschermd door het handels-, merken- en/of octrooirecht in Duitsland, de Europese Unie en/of andere landen.

2 Geldigheidsverklaring

Deze documentatie geldt voor de producten met de onderstaande artikelnummers:

7000023

Versie handleiding 0523

Handleiding aanwijzing:

Manual_7000023_Thermo-Hydro-Quadro-NLX_en-de-fr-nl-es_BRESSER_v052023a

Geef a.u.b. altijd de volgende informatie bij het aanvragen van dienstverlening.

3 Over deze handleiding

INSTRUCTIE



Deze handleiding moet worden gezien als onderdeel van het apparaat.

Lees de veiligheidsinstructies en de handleiding zorgvuldig door voordat u dit apparaat in gebruik neemt.

Bewaar deze handleiding voor toekomstig gebruik. Als het apparaat wordt verkocht of doorgegeven, moet de handleiding worden doorgegeven aan elke volgende eigenaar/gebruiker van het product.

4 Algemene veiligheidsinstructies

GEVAAR



Gevaar van ELECTRIC SHOCK!

Dit apparaat bevat elektronische onderdelen die worden gevoed door een voedingsbron (AC-adapter en/of batterijen). Onjuist gebruik van dit product kan leiden tot elektrische schokken. Een elektrische schok kan ernstig of dodelijk letsel veroorzaken. Het is daarom absoluut noodzakelijk dat u de volgende veiligheidsinformatie in acht neemt.

- Laat kinderen nooit onbeheerd achter bij het hanteren van het apparaat! Volg de instructies zorgvuldig op en probeer dit apparaat niet te voeden met iets anders dan de in deze handleiding aanbevolen stroombronnen, anders bestaat er gevaar voor een elektrische schok!

-
- Schakel de stroomtoevoer uit door de stekker uit het stopcontact te trekken wanneer het apparaat niet in gebruik is, in geval van een langere onderbreking van de werking en vóór alle onderhouds- en reinigingswerkzaamheden.
 - Plaats uw apparaat zo dat het te allen tijde van de stroomtoevoer kan worden losgekoppeld. Het stopcontact moet zich altijd in de buurt van uw apparaat bevinden en moet gemakkelijk bereikbaar zijn, aangezien de stekker van het netsnoer dient als scheidingselement tussen het apparaat en de stroomtoevoer.
 - Om het apparaat van het stroomnet te scheiden, moet u altijd de stekker uit het stopcontact trekken en nooit aan de kabel trekken!
 - Controleer dit apparaat, de kabels en de aansluitingen voor gebruik op beschadigingen.
 - Probeer nooit een beschadigd apparaat of een apparaat met beschadigde elektrische onderdelen te bedienen! Beschadigde onderdelen moeten onmiddellijk worden vervangen door een geautoriseerd servicepersoneelslid.
 - Bedien het apparaat alleen in een volledig droge omgeving en raak het apparaat niet aan met natte of vochtige lichaamsdelen.



GEVAAR



Verstikkingsgevaar!

Als dit product op onjuiste wijze wordt gebruikt bestaat verstikkingsgevaar, vooral voor kinderen. Het is daarom van essentieel belang de volgende veiligheidsinstructies in acht te nemen.

-
- Houd verpakkingsmaterialen (plastic zakken, elastiekes, enz.) buiten de toegang van kinderen! Er is verstikkingsgevaar!

-
- Dit product bevat kleine onderdelen die door kinderen kunnen worden ingeslikt! Er is verstikkingsgevaar!



GEVAAR



Explosiegevaar!

Onjuist gebruik van dit product kan leiden tot brand. Het is essentieel dat u de volgende veiligheidsinformatie in acht neemt om brand te voorkomen.

-
- Stel het apparaat niet bloot aan hoge temperaturen. Gebruik alleen de meegeleverde AC-adapter of de aanbevolen batterijen. Maak geen kortsluiting en gooi de batterijen niet in het vuur! Overmatige hitte en ondeskundige behandeling kunnen kortsluiting, brand en zelfs explosies veroorzaken!

INSTRUCTIE



Gevaar voor materiële schade!

Onjuiste behandeling kan het apparaat en/of de accessoires beschadigen. Gebruik het apparaat daarom alleen in overeenstemming met de volgende veiligheidsinformatie.

-
- Haal het apparaat niet uit elkaar! Neem in geval van een defect contact op met uw handelaar. Hij zal contact opnemen met het service-centrum en kan het apparaat zo nodig ter reparatie opsturen.
 - Stel het toestel niet bloot aan hoge temperaturen en bescherm het tegen water en hoge luchtvochtigheid.
 - Dompel het apparaat nooit onder in water!
 - Stel het apparaat niet bloot aan trillingen.
 - Gebruik voor dit apparaat alleen accessoires en reserveonderdelen die voldoen aan de technische specificaties.

- Gebruik alleen de aanbevolen batterijen. Vervang zwakke of lege batterijen altijd door een nieuwe, volledige set batterijen op volle capaciteit. Gebruik geen batterijen van verschillende merken of met verschillende capaciteiten. Verwijder de batterijen uit het apparaat als het lange tijd niet gebruikt is.
- Gebruik geen oplaadbare batterijen (accu's).

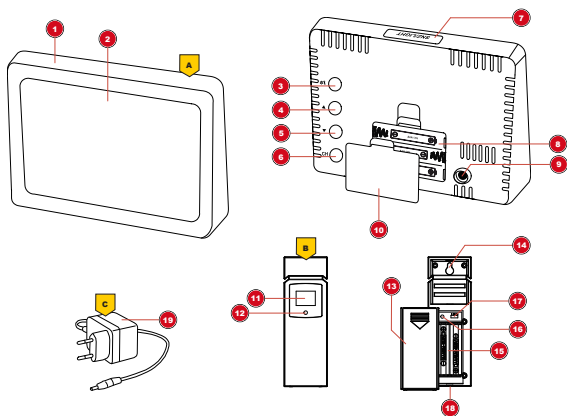
INSTRUCTIE



Gevaar voor beschadiging van de spanning!

De fabrikant is niet aansprakelijk voor spanningschade als gevolg van verkeerd geplaatste batterijen of het gebruik van een ongeschikte netadapter!

5 Onderdelenoverzicht en leveringsomvang



Afb. 1: Alle onderdelen van het basisstation (boven) en draadloze sensor (onder)

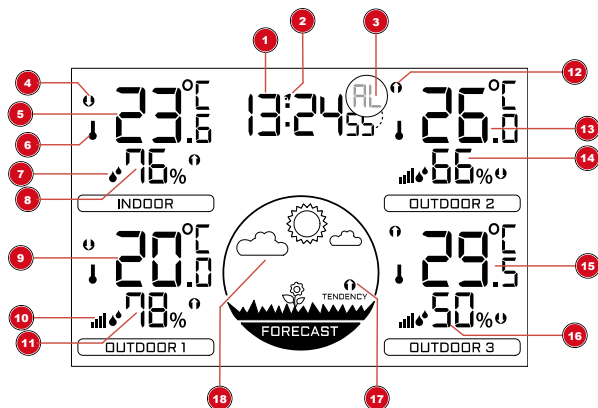
1	Behuizing (basisstation)	2	Display (basisstation)
---	--------------------------	---	------------------------

3	Instelknop (Basisinstellingen)	4	OMHOOG-toest (waarde verhogen)
5	OMLAAG-knop (verlaag de waarde of start de RCC-sig-naalontvangst)	6	CHANNEL knop (kanaalselectie)
7	SNZ/LIGHT-toets (snooze-functie / helderheid van het display instellen)	8	Batterijcompartiment
9	DC aansluiting voor coaxiale stekker	10	Deksel van het batterijcompartiment
11	Dispaly (Sensor)	12	Functie-indicator
13	Deksel van het batterijcompartiment	14	wandbevestiging
15	Batterijcompartiment	16	RESET knop (reset alle instellingen)
17	Schuifknop voor kanaalselectie	18	Standaard
19	Voedingsadapter met coaxiale voedingsaansluiting		

Leveringsomvang

Weerstation (A), thermische/hygrosensor (B) (3 stuks), voedingsadapter (C)

6 Schermweergave



Afb. 2: Schermweergave

1	Huidige tijd	2	Symbool voor ingeschakeld alarm
3	Weergave van de seconden of het symbool voor de alarmtijd (afhankelijk van de geselecteerde modus)	4	Trendsymbol (afnemend, constant of toenemend)
5	Temperatuur binnenshuis (in °C of °F)	6	Symbool voor de temperatuur
7	Symbool voor de luchtvochtigheid	8	Binnenvochtigheid (in %)
9	Temperatuur buitenshuis (in °C of °F) (afstandssensor 1) (draadloze sensor 1)	10	Symbool voor de status van de sensoraansluiting
11	Vochtigheid buiten (in %) (draadloze sensor 1)	12	Trendsymbol (afnemend, constant of toenemend)
13	Buitentemperatuur (in °C of °F) (afstandssensor 2) (afstandsbediening)	14	Vochtigheid buiten (in %) (draadloze sensor 2)

15	Temperatuur buitenshuis (in °C of °F) (afstandssensor 3) (draadloze sensor 3)	16	Vochtigheid buiten (in %) (draadloze sensor 3)
17	Weertendenssymbool (beter, stabiel, slechter)	18	Grafische weersverwachting (12 uur)

7 Vóór gebruik

INSTRUCTIE



Vermijd verbindingfouten!

Om verbindingproblemen tussen de apparaten te voorkomen, moeten bij de ingebruikname de volgende punten in acht worden genomen.

1. Plaats het basisstation (ontvanger) en de sensor (zender) zo dicht mogelijk bij elkaar.
2. Sluit de voedingseenheid aan op het basisstation en wacht tot de binnentemperatuur wordt weergegeven.
3. Zorg voor de voeding van de sensor.
4. Instellen/bedienen van het basisstation en de sensor binnen het effectieve zendbereik.
5. Zorg ervoor dat het basisstation en de radiosensor op hetzelfde kanaal zijn ingesteld.

Verwijder bij het vervangen van de batterijen altijd de batterijen in zowel het basisstation als de sensor en plaats deze in de juiste volgorde terug. Zo kan de radioverbinding weer tot stand komen. Als een van de twee apparaten via een netaansluiting wordt bediend, moet bij het vervangen van de batterijen ook de netaansluiting voor dit apparaat even worden losgekoppeld. Als bijvoorbeeld alleen de batterijen in de sensor worden vervangen, kan het signaal niet of niet meer correct worden ontvangen.

Opmerking: Het reële bereik is afhankelijk van de bouwmaterialen van de gebouwen en van de positie van het basisstation en de buitensensor. Externe invloeden (verschillende radiozenders en andere storingsbronnen) kunnen het mo-

gelijke bereik sterk beperken. In dergelijke gevallen raden wij aan om andere locaties te vinden voor zowel de basis-eenheid als de buitensensor. Soms is het voldoende om de sensor slechts enkele centimeters te verplaatsen!

Hoewel de sensor weerbestendig is, moet deze uit de buurt van direct zonlicht, regen of sneeuw worden geplaatst.

8 Instellen van de stroomvoorziening

Base device

1. Steek de DC-connector in de aansluiting van het apparaat.
2. Steek de stekker in het stopcontact.
3. Het apparaat wordt direct onder spanning gezet.
4. Wacht tot de binnentemperatuur op het basisstation wordt weergegeven.

INSTRUCTIE! Voor permanent gebruik is het aan te bevelen om de stroomvoorziening op het stroomnet aan te sluiten. Als alternatief is ook een voeding met batterijen mogelijk, om de tijdstelling in geval van stroomuitval te behouden. In de batterijmodus wordt het station na 6 seconden in de energiebesparingsmodus gezet en wordt het display uitgeschakeld. Het display kan opnieuw worden geactiveerd door op de sluimertoets te drukken.

Ga als volgt te werk:

5. Verwijder het deksel van het batterijcompartiment.
6. Plaats de batterijen in het batterijvak. Controleer of de polariteit (+/-) van de batterij correct is.
7. Plaats het deksel van het batterijcompartiment terug.
8. Wacht tot de binnentemperatuur op het basisstation wordt weergegeven.

INSTRUCTIE! Bij het overschakelen van netvoeding naar batterijvoeding of omgekeerd wordt de voeding om technische redenen tijdelijk uitgeschakeld. Uitzondering: permanente stroomvoorziening op batterijen.

Remote sensor

9. Verwijder het deksel van het batterijcompartiment.
10. Plaats de batterijen in het batterijvak. Controleer of de polariteit (+/-) van de batterij correct is.
11. Stel de kanaalkeuzeschakelaar in op het gewenste kanaal.

INSTRUCTIE! Dit weerstation kan worden uitgevoerd met een of meerdere draadloze sensoren. Elke aangesloten draadloze sensor moet op een ander kanaal worden ingesteld. Als er slechts één draadloze sensor is aangesloten, moet deze op kanaal 1 worden ingesteld.

12. Plaats het deksel van het batterijcompartiment terug.

9 Automatische tijdstelling

Nadat de stroom is hersteld, zoekt het apparaat automatisch naar het radiosignaal. Het duurt ongeveer 3-8 minuten om dit proces te voltooien.

Als het radiosignaal correct wordt ontvangen, worden de datum en tijd automatisch ingesteld en wordt het ontvangtsymbool weergegeven.

Als er geen radiosignaal wordt ontvangen, gaat u als volgt te werk:

1. Druk gedurende ca. 2 seconden op de DOWN-knop om de ontvangst van het radiosignaal opnieuw te starten.
2. Druk de DOWN-knop nogmaals ca. 2 seconden om de ontvangst van het radiosignaal weer te stoppen.
3. Als er nog steeds geen radiosignaal wordt ontvangen, moet de tijd handmatig worden ingesteld.



Voor meer informatie over handmatige tijdinstelling, zie sectie "Handmatige tijdinstelling".

10 Alarm instellen

Instelling van de alarmtijd

1. In de normale weergavemodus drukt u op de knop SET om over te schakelen naar de alarmtijdweergave (AL).
2. Houd de SET-toets ca. 3 seconden ingedrukt om naar de tijdinstelmodus over te schakelen.
3. De in te stellen cijfers knipperen.
4. Druk op de UP-knop of DOWN-knop om de waarde te wijzigen.
5. Druk op de SET-knop om te bevestigen en verder te gaan naar de volgende instelling.
6. Volgorde instellingen: uren > minuten
7. Druk tenslotte op de SET-knop om de instellingen op te slaan en de instelmodus te verlaten.

In-/uitschakelen van het alarm

8. In de normale weergavemodus drukt u op de knop SET om over te schakelen naar de alarmtijdweergave (AL).
9. Druk op de OMLAAG knop om het alarm in te schakelen. Het  symbool wordt weergegeven.
10. Druk nogmaals op de OMLAAG-knop om het alarm uit te schakelen. Het  symbool verdwijnt van het display.

11 Snooze-functie

1. Wanneer het alarm afgaat, drukt u op de SNZ-knop om de sluimerfunctie te activeren. Het alarm zal over 5 minuten weer afgaan.
2. Druk op een andere knop wanneer het alarm afgaat om het alarm te onderbreken totdat de alarmtijd weer wordt bereikt.

12 Automatische ontvangst van de metingen

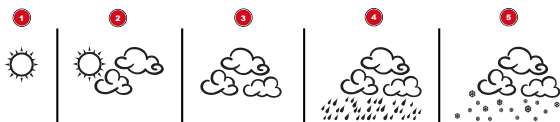
Zodra de voeding is ingeschakeld, geeft het basisstation de meetwaarden voor binnenshuis weer. De metingen van de buitensensor worden binnen 3 minuten na het inschakelen weergegeven.

Als er geen signaal wordt ontvangen, gaat u als volgt te werk:

Druk gedurende ca. 3 seconden op de SCAN-knop om de ontvangst van de metingen opnieuw te starten.

13 Weertrend

Op basis van de gemeten waarden wordt een weertrend voor de komende 12 uur berekend en als volgt grafisch weergegeven:



Afb. 3: Symbolen van de weertrendweergave

1	Zonnig	2	Gedeeltelijk bewolkt
3	Bewolkt	4	Regen
5	Sneeuw		

14 Instellen van de helderheid van het scherm

1. Bij gebruik op batterijen raakt u de knop SNOOZE/LIGHT aan om de volledige helderheid van het scherm gedurende ongeveer 10 seconden in te schakelen.
2. Bij netvoeding (DC 5V) raak de SNOOZE/LIGHT -knop meermaals aan om de gewenste helderheid van het display in te stellen in stappen: dimmen - helder - uit

INSTRUCTIE! Bij gebruik op batterijen kan de helderheid van het display niet worden aangepast.

15 Verwerking



Gooi het verpakkingsmateriaal weg volgens het soort materiaal. Informatie over een correcte verwerking kan worden verkregen bij gemeentelijke afvalverwerkingsdiensten of het Milieugentschap.



Gooi elektronische apparaten niet bij het huisvuil!
Volgens de Europese richtlijn 2012/19/EU betreffende afgedankte elektrische en elektronische apparatuur en de omzetting daarvan in nationaal recht moet gebruikte elektrische apparatuur gescheiden worden ingezameld en op milieuvriendelijke wijze worden gerecycled.



Batterijen en oplaadbare batterijen mogen niet bij het huisvuil worden weggegooid. U bent wettelijk verplicht om gebruikte batterijen en accu's te retourneren. U kunt de batterijen na gebruik gratis inleveren bij ons verkooppunt of in de directe omgeving (bv. in de handel of bij gemeentelijke inzamelpunten). Batterijen en oplaadbare batterijen zijn gemarkeerd met een symbool van een doorgekruiste vuilnisbak en het chemische symbool van de vervuilende stof. "Cd" staat voor Cadmium, 'Hg' staat voor kwik en 'Pb' staat voor lood.



Cd¹



Hg²



Pb³

16 Garantie

De normale garantieperiode is 2 jaar en gaat in op de dag van aankoop. Om in aanmerking te komen voor een vrijwillige verlengde garantieperiode zoals vermeld op de verpakking, is registratie via onze website vereist.

U kunt de volledige garantievoorwaarden, informatie over de verlenging van de garantieperiode en de details van onze dienstverlening raadplegen op www.bresser.de/warranty.

17 EG-verklaring van overeenstemming

CE Bresser GmbH verklaart hierbij dat het apparaat-type met artikelnummer 7000023 in overeenstemming is met Richtlijn: 2014/53/EU. De volledige tekst van de EU-verklaring van overeenstemming is beschikbaar op het volgende internet-adres: www.bresser.de/download/7000023/CE/7000023_CE.pdf

Índice de contenidos

1	Impresión	64
2	Nota de validez	64
3	Sobre este manual de instrucciones de uso.....	65
4	Instrucciones generales de seguridad.....	65
5	Descripción de las partes.....	68
6	Pantalla.....	70
7	Antes de la puesta en marcha.....	71
8	Conexión al suministro eléctrico.....	72
9	Ajuste automático de la hora.....	73
10	Ajuste de la alarma.....	74
11	Función de repetición de la alarma.....	75
12	Transmisión automática de valores.....	75
13	Tendencia meteorológica	75
14	Ajuste del brillo de la pantalla	76
15	Reciclaje	76
16	Garantía	77
17	Declaración de Conformidad CE.....	77

1 Impresión

Bresser GmbH

Gutenbergstr. 2
46414 Rhede
Germany

www.bresser.de

Para cualquier reclamación de garantía o solicitud de servicio técnico, revise la información sobre "Garantía" y "Servicio" en esta documentación. Rogamos entienda que las devoluciones no solicitadas, no pueden tramitarse.

Salvo errores y modificaciones técnicas.

© 2023 Bresser GmbH

Quedan reservados todos los derechos

Queda prohibida la reproducción de esta documentación - incluso en fragmentos- en cualquier forma (fotocopias, impresiones, etc), así como el uso y la distribución por medio de sistemas electrónicos (como archivos de imagen, sitios web, etc) sin la autorización previa por escrito del fabricante.

Las denominaciones y marcas de las respectivas empresas utilizadas en esta documentación están generalmente protegidas por el derecho comercial, de marcas y/o de patentes en Alemania, en la Unión Europea y/o en otros países.

2 Nota de validez

Esta documentación es válida para los productos con los siguientes números de artículo:

7000023

Versión del manual: 0523

Denominación del manual:

Manual_7000023_Thermo-Hydro-Quadro-NLX_en-de-fr-nl-es_BRESSER_v052023a

Proporcione siempre esta información al solicitar un servicio.

3 Sobre este manual de instrucciones de uso



¡AVISO!

El presente manual de instrucciones debe considerarse parte integrante del aparato.

Lea atentamente las instrucciones de seguridad y el manual antes de utilizar este dispositivo.

Guarde este manual de instrucciones en un lugar seguro para futuras consultas. En caso de venta o cesión del aparato, el manual de instrucciones debe entregarse a cualquier propietario/usuario posterior del producto.

4 Instrucciones generales de seguridad



⚠ PELIGRO

Riesgo de descargas eléctricas

Este aparato contiene piezas electrónicas que se alimentan de una fuente de energía (adaptador de CA y/o pilas). El uso inadecuado de este producto puede provocar una descarga eléctrica. Las descargas eléctricas pueden causar lesiones graves o mortales. Por lo tanto, es imperativo que observe la siguiente información de seguridad.

- Nunca deje a los niños solos cuando maneje el dispositivo. Siga las instrucciones cuidadosamente y no intente alimentar este dispositivo con otra fuente de alimentación que no sea la recomendada en este manual de instrucciones, de lo contrario existe riesgo de descarga eléctrica.
- Desconecte la fuente de alimentación tirando del enchufe de la red si no va a usarlo durante un largo periodo de tiempo. Desconéctelo también antes de cualquier trabajo de mantenimiento y limpieza.

-
- Coloque su aparato de forma que pueda desconectarse de la red eléctrica en cualquier momento. La toma de corriente debe estar siempre cerca de su aparato y debe ser fácilmente accesible, ya que el enchufe del cable de alimentación sirve como dispositivo de desconexión de la red eléctrica.
 - Para desconectar el aparato de la red eléctrica, tire siempre del enchufe de la red eléctrica y no del cable.
 - Antes de la puesta en servicio, compruebe que el aparato, los cables y las conexiones no estén dañados.
 - No intente nunca poner en funcionamiento un aparato dañado o con piezas eléctricas dañadas. Las piezas dañadas deben ser sustituidas inmediatamente por un servicio técnico autorizado.
 - Utilice el dispositivo solo en un ambiente completamente seco y no lo toque con partes del cuerpo mojadas o húmedas.



PELIGRO



Peligro de asfixia

El uso inadecuado de este producto puede provocar asfixia, especialmente en los niños. Por lo tanto, es imperativo observar la siguiente información de seguridad.

-
- Mantenga los materiales de embalaje (bolsas de plástico, bandas de goma, etc) alejadas del alcance de los niños.
 - Este producto contiene piezas pequeñas que un niño podría tragarse.



PELIGRO



Peligro de explosión

El uso inadecuado de este producto puede provocar un incendio. Es esencial que observe la siguiente información de seguridad para evitar incendios.

- No exponga el dispositivo a altas temperaturas. Utilice únicamente el adaptador de CA suministrado o las pilas recomendadas. No cortocircuite el aparato o las pilas ni lo arroje al fuego. El calor excesivo y el manejo inadecuado pueden causar cortocircuitos, incendios e incluso explosiones.

¡AVISO!



Peligro de daños materiales.

Una manipulación inadecuada puede provocar daños en el aparato y/o en los accesorios. Por lo tanto, utilice el aparato sólo de acuerdo con la siguiente información de seguridad.

- No desmonte el aparato. En caso de que haya un defecto, póngase en contacto con su distribuidor. Él se pondrá en contacto con el servicio técnico y podrán organizar la devolución de este aparato para su reparación si es necesario.
- No exponga este dispositivo a temperaturas altas. Protéjalo del agua y de la humedad.
- No sumerja nunca el dispositivo en el agua.
- No someta el aparato a vibraciones excesivas.
- Para este dispositivo, utilice únicamente accesorios y piezas de repuesto que cumplan con la información técnica.
- Use solo las pilas recomendadas. Sustituya siempre las pilas desgastadas por un juego de pilas nuevas y completas a plena capacidad. No utilice pilas de diferentes

marcas o tipos o con diferentes capacidades. Retire las pilas del aparato si no se va a utilizar durante un periodo de tiempo prolongado

- No utilice pilas recargables (acumuladores).

¡AVISO!



Riesgo de daños por mal uso

El fabricante no asume ninguna responsabilidad por daños de tensión debidos a pilas mal colocadas o a la utilización de un adaptador de red inadecuado

5 Descripción de las partes

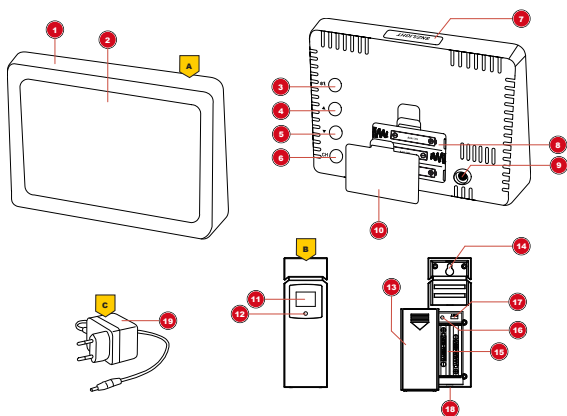


Fig. 1: Todas las partes de la estación base (arriba) y del sensor inalámbrico (abajo)

1	Carcasa (estación base)	2	Pantalla (estación base)
3	Botón SET (ajustes básicos)	4	Botón UP (aumenta valor)
5	Botón DOWN (disminuye el valor o inicia la recepción de la señal RCC)	6	Botón CH (selección de canal)

7	Botón SNZ/LIGHT (ajusta la función de repetición de la alarma/brillo de la pantalla)	8	Compartimento para pilas
9	Conector hembra para conector coaxial de CC	10	Tapa del compartimento para pilas
11	Pantalla (Sensor)	12	Indicador de función
13	Tapa del compartimento para pilas	14	Soporte de pared
15	Compartimento para pilas	16	Botón RESET (restablece todos los ajustes)
17	Control deslizante para la selección del canal	18	Soporte de mesa
19	Adaptador de alimentación con conector coaxial		

Piezas incluidas:

Estación meteorológica (A), Termohigrosensor (B) (3 piezas), adaptador de corriente (C)

6 Pantalla

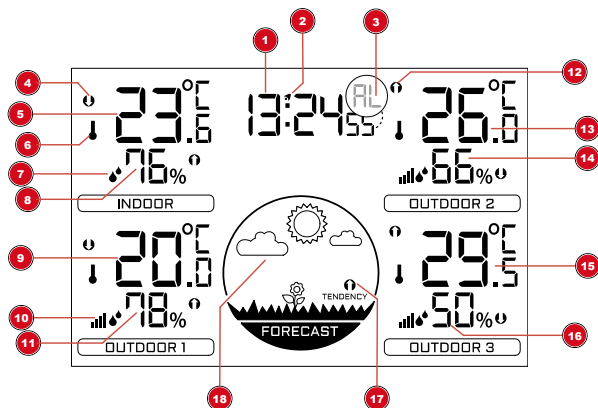


Fig. 2: Pantalla

1	Hora actual	2	Símbolo de alarma activada
3	Indicación de los segundos o símbolo de la hora de alarma (según el modo seleccionado)	4	Símbolo de tendencia (decreciente, constante o creciente)
5	Temperatura interior (en °C o °F)	6	Símbolo de la temperatura
7	Símbolo de la humedad	8	Humedad interior
9	Temperatura exterior (en °C o °F) (sensor remoto 1)	10	Símbolo del estado de conexión del sensor
11	Humedad exterior (en %) (sensor remoto 1)	12	Símbolo de tendencia (decreciente, constante o creciente)
13	Temperatura exterior (en °C o °F) (sensor remoto 2)	14	Humedad exterior (en %) (sensor remoto 2)
15	Temperatura exterior (en °C o °F) (sensor remoto 3)	16	Humedad exterior (en %) (sensor remoto 3)

7 Antes de la puesta en marcha

¡AVISO!



Evite los fallos de conexión

A fin de evitar problemas de conexión entre los dispositivos, deben observarse los siguientes puntos durante la puesta en marcha.

1. Coloque la unidad base (receptor) y el sensor (transmisor) lo más cerca posible.
2. Conecte la fuente de alimentación a la unidad de base y espere hasta que se muestre la temperatura interior.
3. Establezca una fuente de alimentación para el sensor.
4. Configure/use la unidad base y el sensor dentro del rango de transmisión efectivo.
5. Asegúrese de que la unidad base y el sensor de radio estén configurados en el mismo canal.

Para cambiar las pilas, extraígalas de la unidad base y del sensor y vuelva a colocarlas en el orden correcto para que pueda restablecer la conexión de radio. Si uno de los dos aparatos funciona a través de una conexión a la red eléctrica, la conexión a la red de este aparato también debe desconectarse brevemente al cambiar las pilas. Si, por ejemplo, solo se cambian las pilas del sensor, la señal no se podrá recibir correctamente.

Tenga en cuenta que el alcance real depende de los materiales de construcción utilizados en el edificio y de la posición de la unidad base y del sensor exterior. Las influencias externas (diversos transmisores de radio y otras fuentes de interferencia) pueden reducir en gran medida el alcance posible. En tales casos, recomendamos encontrar otras ubica-

ciones tanto para la unidad base como para el sensor exterior. A veces solo hace falta moverlos unos pocos centímetros.

Aunque el sensor exterior es resistente a la intemperie, debe protegerse de la luz solar directa, la lluvia o la nieve.

8 Conexión al suministro eléctrico

Base

1. Introducir en conector de CC en la clavija de conexión de la base.
2. Introducir el enchufe de alimentación en una toma de corriente.
3. El aparato recibe corriente directamente.
4. Esperar hasta que en la base se indique la temperatura interior.

¡AVISO! Se recomienda la alimentación a través de la red eléctrica para el uso continuo. Alternativamente, también es posible el uso con pilas para mantener el ajuste de la hora en caso de fallo de corriente. En modo batería, la emisora pasa a modo ahorro de energía transcurridos 6 segundos y la pantalla se desactiva. La pantalla puede reactivarse pulsando el botón de repetición.

Proceder para ello del modo siguiente:

5. Quitar la tapa del compartimento de las pilas.
6. Instalar las pilas en el compartimento de las pilas. Tener en cuenta la orientación correcta de los polos de las pilas (+/-).
7. Volver a poner la tapa del compartimento de las pilas.
8. Esperar hasta que en la base se indique la temperatura interior.

¡AVISO! Si se cambia el tipo de alimentación (red eléctrica o pilas) se interrumpe brevemente la alimentación de corriente por razones técnicas. En ese caso, se pierden todos los ajustes realizados previamente. Excepción: funcionamiento permanente con pilas.

Sensor inalámbrico

9. Quitar la tapa del compartimento de las pilas.
10. Instalar las pilas en el compartimento de las pilas. Tener en cuenta la orientación correcta de los polos de las pilas (+/-).
11. Ajustar el selector de canal al canal que se desee.

¡AVISO! Esta estación meteorológica se puede utilizar con uno o varios sensores inalámbricos. Cada uno de los sensores inalámbricos conectados debe utilizarse en un canal diferente. Si solo está conectado un sensor inalámbrico, debería utilizarse en el canal 1.

12. Volver a poner la tapa del compartimento de las pilas.

9 Ajuste automático de la hora

Una vez establecida la batería, el aparato busca automáticamente la señal de radio. Este proceso tarda aproximadamente entre 3 y 8 minutos en completarse.

Si la señal de radio se recibe correctamente, la fecha y la hora se actualizan automáticamente y aparece el símbolo de recepción.

Si no se recibe ninguna señal, proceda de la siguiente manera:

1. Pulse el botón DOWN durante aproximadamente 2 segundos para iniciar de nuevo la recepción de la señal de radio.
2. Pulse el botón DOWN durante aproximadamente 2 segundos para detener la recepción de la señal de radio.

-
3. Si aún así no se recibe ninguna señal de radio, debe configurar la hora de forma manual.

Para obtener más información sobre la configuración manual de la hora, consulte la sección "Configuración manual de la hora".

10 Ajuste de la alarma

Ajuste de la hora de alarma

1. En el modo de visualización normal, pulse el botón SET para cambiar a la visualización de la hora de alarma (AL).
2. Pulse y mantenga pulsado el botón SET durante aproximadamente 3 segundos para cambiar al modo de ajuste de la hora.
3. Los dígitos a ajustar parpadean.
4. Pulse el botón UP o DOWN para cambiar el valor.
5. Pulse el botón SET para confirmar y continuar con el siguiente ajuste.
6. Orden de configuración: Horas > Minutos
7. Finalmente, pulse el botón SET para guardar los ajustes y salir del modo de ajuste.

Activar/desactivar alarma

8. En el modo de visualización normal, pulse el botón SET para cambiar a la visualización de la hora de alarma (AL).
9. Pulse el botón DOWN para activar la alarma. Aparecerá el símbolo.
10. Presione el botón DOWN de nuevo para desactivar la alarma. El símbolo desaparecerá de la pantalla.

11 Función de repetición de la alarma

1. Cuando esté sonando el despertador, pulsar el botón SNZ para activar la función de repetición de la alarma. El despertador volverá a sonar al cabo de 5 minutos.
2. Cuando suene el despertador, pulsar cualquier botón para apagar la alarma, que volverá a sonar cuando se alcance de nuevo la hora de alarma ajustada.

12 Transmisión automática de valores

Una vez que la fuente de alimentación está activada, la estación base mostrará las lecturas de medición para interiores. Las lecturas del sensor exterior se mostrarán en un plazo de 3 minutos después de encenderlo.

Si no se recibe ninguna señal, proceda de la siguiente manera:

Presione la tecla SCAN durante 3 segundos para iniciar de nuevo la recepción de las mediciones.

13 Tendencia meteorológica

A partir de los valores medidos se calcula una tendencia meteorológica para las 12 horas siguientes y se muestra gráficamente de la siguiente manera:



Fig. 3: Visualización de los símbolos de la tendencia climatológica

1	Soleado	2	Parcialmente nublado
3	Nublado	4	Lluvia
5	Nieve		

14 Ajuste del brillo de la pantalla

1. Si se usan pilas, toque la tecla SNOOZE/LIGHT para activar el brillo total de la pantalla durante unos 10 segundos.
2. Si está enchufada, pulse la tecla SNOOZE/LIGHT varias veces para configurar el brillo deseado en la pantalla en diferentes pasos: tenue - brillante - apagado.

¡AVISO! Mientras funciona con pilas no es posible ajustar el brillo de la pantalla.

15 Reciclaje



Elimine los materiales de embalaje de acuerdo con su clase. Se puede obtener información sobre la eliminación de residuos adecuada con empresas municipales de gestión de residuos o en la agencia medioambiental.



No se deshaga de los dispositivos electrónicos tirándolos en la basura de su casa.



De conformidad con la Directiva 2012/19/UE, sobre residuos de aparatos eléctricos y electrónicos (Directiva RAEE2), incorporada a la normativa nacional mediante el Real Decreto 110/2015, de 20 de febrero, el equipo eléctrico usado debe recogerse por separado y reciclarse de forma respetuosa con el medio ambiente.



Las pilas y baterías no deben eliminarse con la basura doméstica. Usted está obligado por ley a devolver las pilas y acumuladores usados después de su uso en nuestro punto de venta o un lugar próximo (por ejemplo, en el comercio o en los puntos de recogida municipales) de forma gratuita.

Las pilas y baterías están marcados con un símbolo de cubo de basura tachado y el símbolo químico del contaminante. "Cd" significa cadmio, "Hg" significa mercurio y "Pb" significa plomo.



Cd¹



Hg²



Pb³

16 Garantía

El periodo de garantía normal es de 2 años y comienza el día de la compra. Para beneficiarse de un periodo de garantía voluntario ampliado, como se indica en la caja de regalo, es necesario registrarse en nuestro sitio web.

Las condiciones completas de garantía, así como información relativa a la ampliación de la garantía y servicios, puede encontrarse en **www.bresser.de/warranty_terms**.

17 Declaración de Conformidad CE

CE Por la presente, Bresser GmbH declara que el tipo de equipo de radio con 7000023 cumple con la Directiva 2014/53/EU. El texto completo de la declaración de conformidad CE está disponible en la siguiente dirección de Internet www.bresser.de/download/7000023/CE/7000023_CE.pdf

Service

DE AT CH BE

Bei Fragen zum Produkt und eventuellen Reklamationen nehmen Sie bitte zunächst mit dem Service-Center Kontakt auf, vorzugsweise per E-Mail.

E-Mail: service@bresser.de

Telefon*: +49 28 72 80 74 210

BRESSER GmbH

Kundenservice
Gutenbergstr. 2
46414 Rhede
Deutschland

*Lokale Rufnummer in Deutschland (Die Höhe der Gebühren je Telefonat ist abhängig vom Tarif Ihres Telefonanbieters); Anrufe aus dem Ausland sind mit höheren Kosten verbunden.

GB IE

Please contact the service centre first for any questions regarding the product or claims, preferably by e-mail.

E-Mail: service@bresseruk.com

Telephone*: +44 1342 837 098

BRESSER UK Ltd.

Suite 3G, Eden House
Enterprise Way
Edenbridge, Kent TN8 6HF
Great Britain

*Number charged at local rates in the UK (the amount you will be charged per phone call will depend on the tariff of your phone provider); calls from abroad will involve higher costs.

FR BE

Si vous avez des questions concernant ce produit ou en cas de réclamations, veuillez prendre contact avec notre centre de services (de préférence via e-mail).

E-Mail: sav@bresser.fr

Téléphone*: 00 800 6343 7000

BRESSER France SARL

Pôle d'Activités de Nicopolis
314 Avenue des Chênes Verts
83170 Brignoles
France

*Prix d'un appel local depuis la France ou Belgique

NL BE

Als u met betrekking tot het product vragen of eventuele klachten heeft kunt u contact opnemen met het service centrum (bij voorkeur per e-mail).

E-Mail: info@bresserbenelux.nl

Telefoon*: +31 528 23 24 76

BRESSER Benelux

Smirnofstraat 8
7903 AX Hoogeveen
The Netherlands

*Het telefoonnummer wordt in het Nederland tegen lokaal tarief in rekening gebracht. Het bedrag dat u per gesprek in rekening gebracht zal worden, is afhankelijk van het tarief van uw telefoon provider; gesprekken vanuit het buitenland zullen hogere kosten met zich meebrengen.

ES PT

Si desea formular alguna pregunta sobre el producto o alguna eventual reclamación, le rogamos que se ponga en contacto con el centro de servicio técnico (de preferencia por e-mail).

E-Mail: servicio.iberia@bresser-iberia.es





Teléfono*: +34 91 67972 69

BRESSER Iberia SLU

c/Valdemorillo, 1 Nave B
P.I. Ventorro del Cano
28925 Alcorcón Madrid
España

*Número local de España (el importe de cada llamada telefónica dependen de las tarifas de los distribuidores); Las llamadas des del extranjero están ligadas a costes suplementarios..

Bresser GmbH
Gutenbergstraße 2
46414 Rhede · Germany
www.bresser.de

    @BresserEurope

