

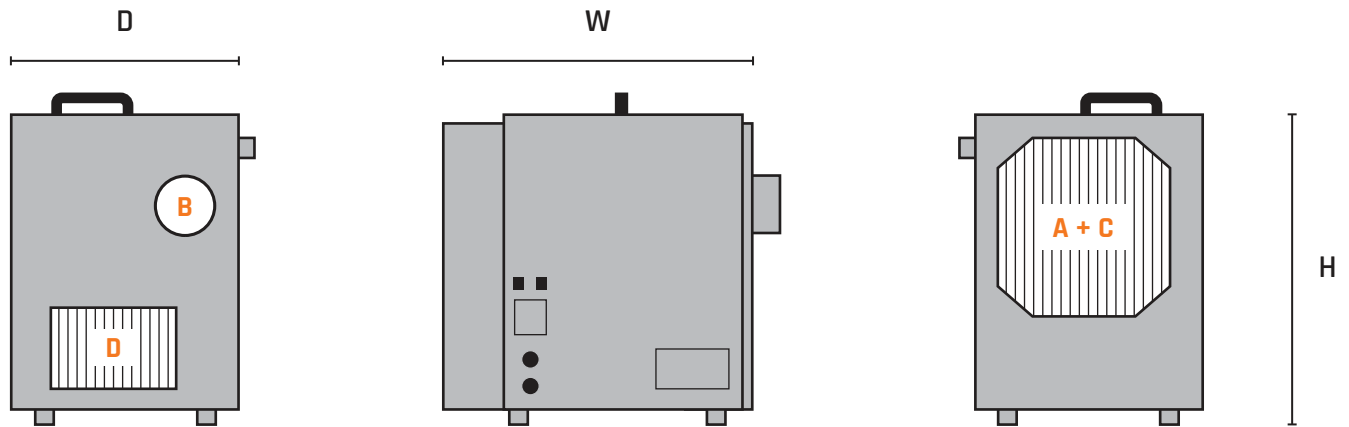
# DATASHEET

## THE C-LK RANGE - DEHUMIDIFIERS WITH MOISTURE CONDENSATION

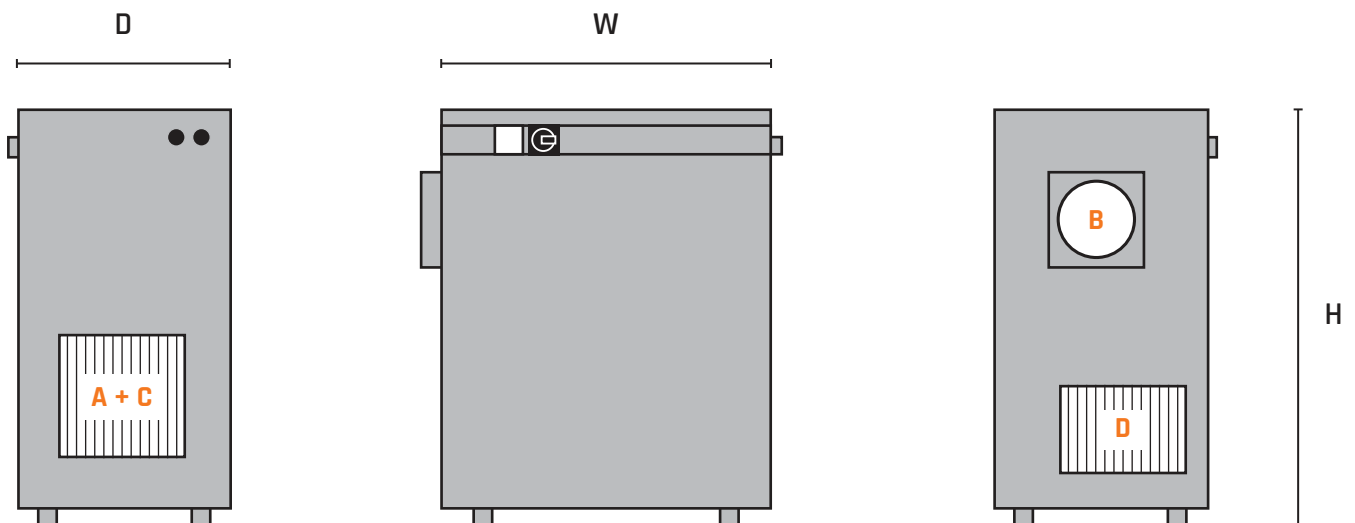
With stainless-steel cabinets and a low-noise fan, these units offer versatile placement and quiet operation. Without the need for ductwork, they create a closed circuit that condenses moisture from the regeneration air. An efficient drainage system ensures flexible installation, adapting to a wide range of installation conditions.

### TECHNICAL DATA

C22LK



C26LK



## THE C-LK RANGE

# TECHNICAL DATA

Performance data is based on nominal conditions 20°C, 60%RH.

THE C-LK RANGE		C22LK		C26LK	
		C22LK		C26LK	
<b>TECHNICAL DATA</b>					
DRY AIR NOMIAL	m³/h	115		225	
VOLTAGE/PHASES	V/PH	1 x 230V PH+N+PE		1 x 230V PH+N+PE	
CONNECTED LOAD*	kW	0.75		1.6	
REGENERATION AIR HEATER*	kW	0.64		1.4	
MAXIMUM FUSE SIZE	A	10		10	
EXT. PRESSURE PROCESS AIR	Pa	0		150	
MOISTURE REMOVAL CAPACITY	kg/h	0.38		0.6	
* At nominal dry air flow.					
<b>DIMENSIONS AND WEIGHT</b>					
W	WIDTH	mm	425		533
D	DEPTH	mm	311		351
H	HEIGHT	mm	431		673
	CONDENSED WATER OUTLET	mm	Ø10		Ø10
	WEIGHT (ELECTRICAL)	kg	22		39
<b>DUCT CONNECTIONS</b>					
A	PROCESS AIR INLET	mm	230 x 243		185 x 185
B	PROCESS AIR OUTLET	mm	Ø80		Ø125
C	COOLING AIR INLET	mm	230 x 243		185 x 185
D	COOLING AIR OUTLET	mm	178 x 113		192 x 113