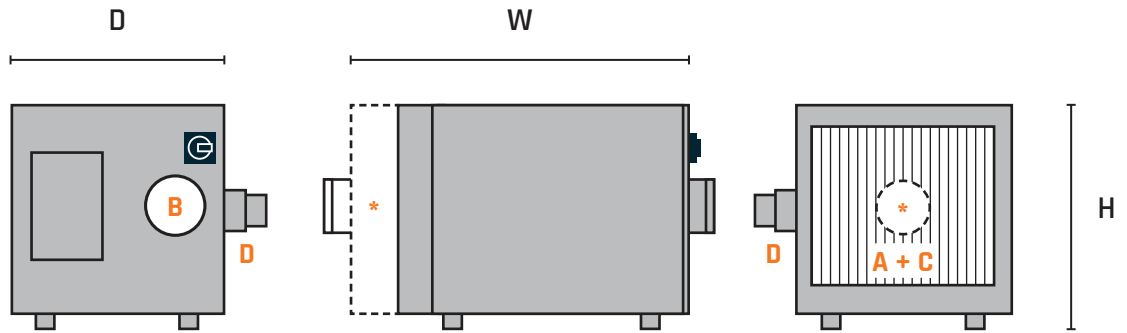


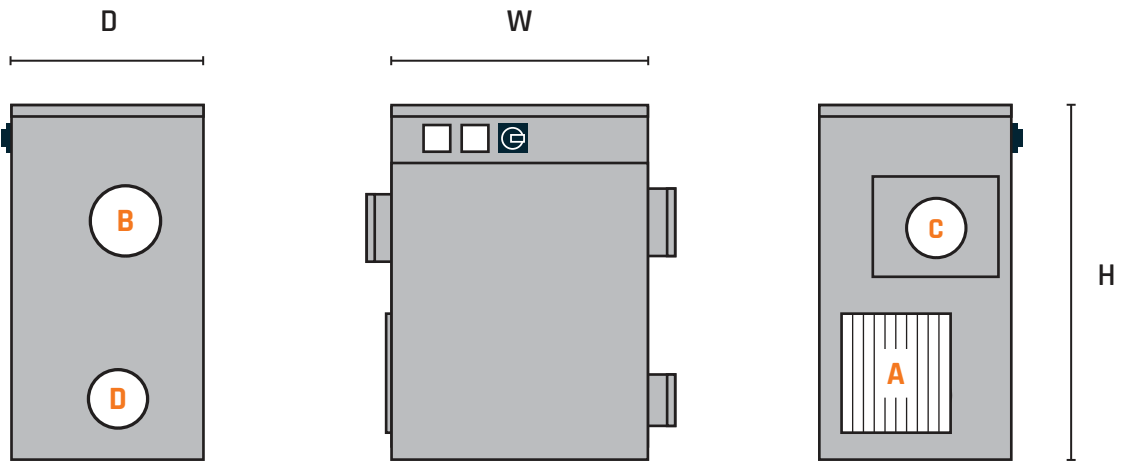
DATASHEET

CR80B-FC/FCS*

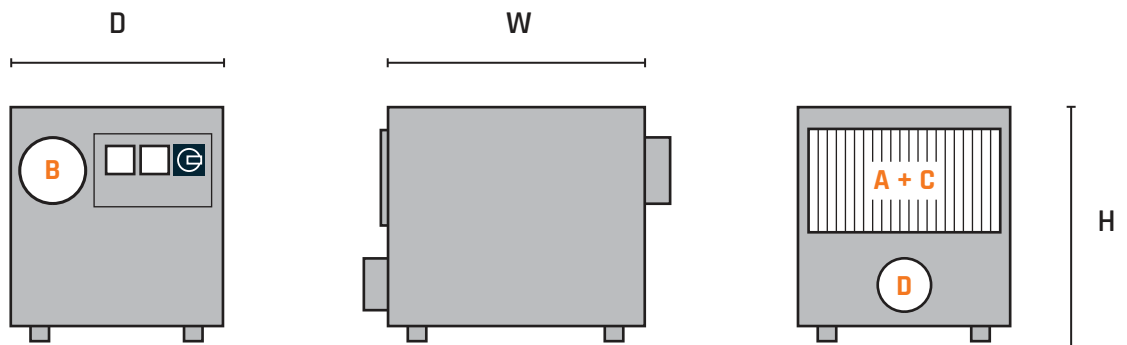


*The CR80B-FCS has a larger filter and an additional connecting pipe

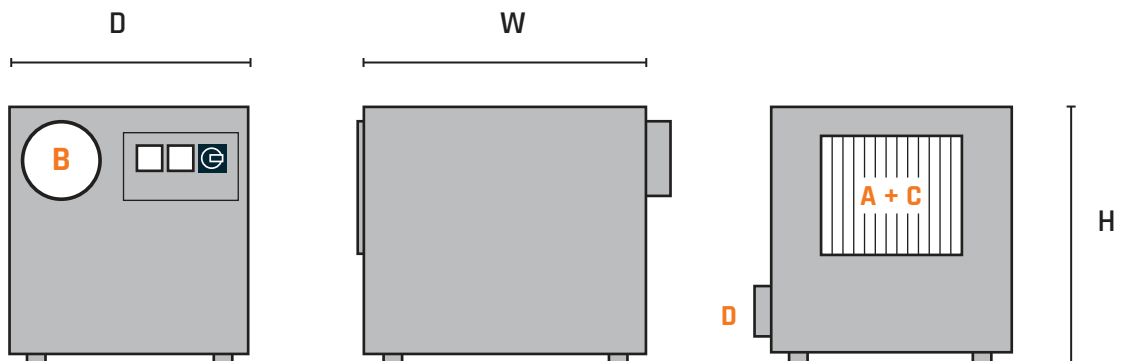
CR100



CR240B



CR400BW



THE MOBILE RANGE FOR WIND TURBINES

TECHNICAL DATA

Performance data is based on nominal conditions 20°C, 60%RH.

THE MOBILE RANGE					
		CR80B-FC/FCS	CR100	CR240B	CR400BW
TECHNICAL DATA					
DRY AIR	m³/h	80	100	240	400
REGENERATION AIR	m³/h	40	40	40	90
VOLTAGE/PHASES	V/PH	1 x 230V PH+N+PE	1 x 230V PH+N+PE	1 x 230V PH+N+PE	1 x 230V PH+N+PE
CONNECTED LOAD	kW	0.83	1.00	1.05	1.97
REGENERATION AIR HEATER	kW	0.77	0.94	0.94	1.84
RECOMMENDED EXTERNAL FUSE	A	10	10	10	10
EXT. PRESSURE PROCESS AIR	Pa	50	150	50	50
EXT. PRESSURE REGENERATION AIR	Po	60	140	50	50
MOISTURE REMOVAL CAPACITY	kg/h	0.44	0.6	0.8	1.4
DIMENSIONS AND WEIGHT					
W WIDTH	mm	422/494	373	400	620
D DEPTH	mm	313	291	333	405
H HEIGHT	mm	317	520	363	430
WEIGHT	kg	15	21	18	28
DUCT CONNECTIONS					
A PROCESS AIR INLET	mm	231 x 257	180 x 200	270 x 140	210 x 350
B PROCESS AIR OUTLET	mm	231 x 257	Ø100	Ø100	-
C REGENERATION AIR INLET	mm	Ø80	Ø100	270 x 140	Ø125
D REGENERATION AIR OUTLET	mm	Ø50	Ø80	Ø80	Ø80